

USER'S GUIDE

Your satisfaction is very important to us, so please read this guide carefully. You will find instructions on the proper operation and maintenance of your new appliance, in addition to a list of what can and what should not be washed in an automatic dishwasher.

Save time and money. If something should go wrong, we suggest consulting the "Before You Call" section. It is designed to help you solve basic problems before consulting a servicer.

Table of Contents

Safety Instructions	1
Loading Tips	2
Operating Steps	3
Cycles at a Glance	4
Care and Cleaning	4
What Can and Cannot be Washed	5
Before You Call	6-7
Portable Dishwashers	8
Guide de L'Utilisateur	10
Guía del Usuario	19

Installer: Please leave this manual with this appliance.

Consumer: Please read and keep this manual for future reference. Keep sales receipt and/or cancelled check as proof of purchase.

Model Number _____

Serial Number _____

Date of Purchase _____

If you have questions, call:

1-800-688-9900 USA and 1-800-688-2002 CANADA
1-800-688-2080 (U.S. TTY for hearing or speech impaired) (Mon.-Fri., 8 am-8 pm Eastern Time)

In our continuing effort to improve the quality and performance of our appliances, it may be necessary to make changes to the appliance without revising this guide.

Important Safety Instructions

What You Need to Know About Safety Instructions

Warning and Important Safety Instructions appearing in this manual are not meant to cover all possible conditions and situations that may occur. Common sense, caution and care must be exercised when installing, maintaining or operating the dishwasher.

Always contact your manufacturer about problems or conditions you do not understand.

Recognize Safety Symbols, Words, Labels

WARNING

WARNING – Hazards or unsafe practices which **COULD** result in severe personal injury or death.


CAUTION

CAUTION – Hazards or unsafe practices which **COULD** result in minor personal injury or property damage.

Important Safety Instructions

WARNING

Check with the installer to make sure the appliance has been properly grounded to avoid possible electrical shock. Be sure you read the important personal safety instructions before you use this dishwasher.

Products with a  label have been listed with Underwriter's Laboratories, Inc. – those with a CSA tag have been listed with Canadian Standards Association. Nevertheless, as with any other equipment using electricity and moving parts, there is a potential hazard.

WARNING

When using your dishwasher, follow basic precautions, including the following:

1. Read all instructions before using the dishwasher.
2. Use the dishwasher only for its intended function.
3. Disconnect electrical power to dishwasher before attempting to service.
4. To avoid electrical shock hazard, the sides and back must be enclosed and the front panels must be attached before electrical power is applied to the dishwasher. Refer to the installation instructions for proper grounding procedures.
5. Connect to a properly rated, protected and sized power supply circuit to avoid electrical overload.
6. Children should never be permitted to operate, or play in, with, or around this dishwasher.
7. To reduce the risk of injury when loading items to be washed, sharp or pointed items should be located with the handles up. Also, load sharp items so they are not likely to damage the door seal.
8. Do not touch the heating element on the bottom of the tub during or at the completion of a cycle. It will be hot.
9. Use only detergents and rinse additives designed for a residential automatic dishwasher. Never use soap, laundry detergent, or hand washing detergent in your dishwasher. Keep these products out of reach of children.
10. Do not sit, stand on or abuse the door or dish racks of the dishwasher.
11. Under certain conditions, hydrogen gas may be produced in a hot water system that has not been used for two weeks or more. *Hydrogen gas is explosive.* If the hot water system has not been used for such a period, turn on all hot water faucets and let the water flow from each for several minutes. This will release any accumulated hydrogen gas. As the gas is flammable, do not smoke or use an open flame during this process.
12. Do not wash plastic items unless marked "dishwasher safe" or the equivalent. For plastic items not so marked, check the manufacturer's recommendations.
13. Do not tamper with controls.
14. To prevent accidental child entrapment and suffocation risks, always remove the door to the washing compartment when removing an old dishwasher from service or discarding it.
15. Use caution when unloading the dishwasher. Dishes will be hot if unloaded shortly after a cycle has completed.
16. Certified residential dishwashers are not intended for licensed food establishments.
17. To avoid water, mold or mildew damage to your home, inlet and drain hose connections should be checked periodically for leaks.

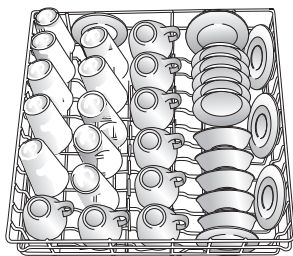
**Save These Instructions
for Future Reference**

Loading Tips

- Scrape off bones or large food particles. Remove excessive quantities of greasy/oily substances.
- Scrape or soak items with burnt on foods as they require more energy than the rest of the load to clean.
- Scrape off tomato based food soils.
- If connected to a food waste disposer, make certain the disposer is empty before starting the dishwasher. This allows proper draining.
- Mustard, mayonnaise, vinegar, lemon and other acidic foods can cause rust or discoloration on stainless steel. Rinse these pieces as soon as possible.
- Starch from foods like potatoes, pasta, rice and oatmeal require more energy to clean than the rest of the load.
- Place all items in the racks so they are separated and facing the center of the racks.
- Wedge flat, lightweight items next to the silverware basket or along the sides and back of the racks.
- Load items so they do not rest over the wash tower located in the center of the lower rack.
- Avoid blocking the upper and lower spray arms by not allowing items to extend beyond the racks.
- Place glasses in any row of the upper rack for proper cleaning and rinsing. Do not load glasses over the tines.

Upper Rack (Features vary slightly by model.)

This rack is designed to hold glasses, cups, small plates, bowls, cookware, etc. Small plates or bowls should be loaded with soiled surfaces facing the center of the rack. **Do not load glasses over tines.**



10 Place Settings

The Twin Shelf (select models) on the right side of the upper rack folds up or down. Fold it down to hold long-handled knives, spatulas and spoons or short items like cups or juice glasses. Fold it up for taller items like bowls, plates, etc.

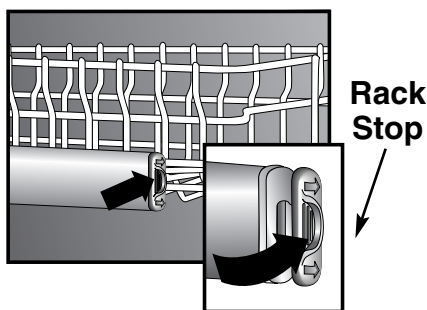
Removing the Upper Rack

The upper rack can be removed when tall or oversized items need to be loaded into the lower rack.

Note: Avoid resting items over the center wash tower.

To remove:

- Roll the upper rack 1/3 to 1/2 of the way out.
- Remove the plastic rack stop from the end of each track. To remove each plastic rack stop, push inward (towards the rack) on the ridged area of the rack stop. The rack stop will snap open and can be easily removed by pulling straight out. Take care to support the track while removing rack stops.
- Roll the rack all the way out of the track and remove from the dishwasher.
- Reverse the above procedure to replace the upper rack into the dishwasher.



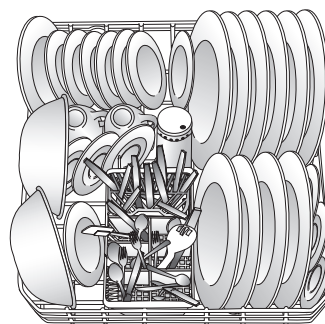
Lower Rack

(Features vary slightly by model.)

Large items may be placed in any convenient location in this rack. Keep soiled surfaces facing the center of the rack.

The back of this rack accommodates a row of dinner plates or two rows of smaller plates. Serving bowls and large pans fit across the front of the rack or on the left side.

Folding tines (select models) located on the right side, provide loading flexibility for large-shaped items.



10 Place Settings

Removable Utensil Basket

(Features vary slightly by model.)

For best cleaning results, prevent items from nesting together by placing some items in the basket with handles up and some with handles down. Load knives, handles up, through the slots in the covered section when closed (select models).

Be sure that thin, finely pointed items do not extend through the basket. This could block the lower wash arm.

Small, lightweight items like baby spoons and plastic measuring spoons should be placed in the covered section (select models) of the basket for washing.

Operating Steps

Step 1 Hot Water

For best results, the incoming water temperature should be 120°-140° F. Check the water temperature by turning on the hot water faucet nearest the dishwasher and letting it run into a glass in the sink. Place a candy thermometer in the glass and check the temperature once it has stopped rising. If it is below 120° F have a qualified person raise the water heater setting.

If the outside temperature is unusually low, or if your water travels a long distance from the water heater to the dishwasher, you may want to turn on the hot water faucet at the sink and allow it to run until the water is hot. This assures that the initial fill of water is hot.

Step 2 Detergent

Use a detergent designed specifically for use in an automatic dishwasher. Other types (laundry, hand soap, etc.) will cause oversudsing. Be sure to use fresh detergent and store it in a cool, dry place (not under the sink).

The amount of detergent to use depends on the water hardness measured in grains per gallon* (gpg) and the amount of soil on the dishes. Generally detergent amounts should be increased for harder water and heavier soil. Refer to the following chart for detergent usage recommendations.

Do not use detergent with **Rinse Only**. Leave the detergent lid open when running **Rinse Only**.

If the water hardness is 13 gpg or harder, it is difficult to achieve good results with any dishwasher. The solution is a mechanical water softener to improve water quality, detergent effectiveness, and to protect the dishwasher parts from the damage that hard water deposits may cause.

Step 3 Rinse Aid

A liquid rinse aid dispenser (select models) automatically releases a measured amount of rinse aid into the final rinse portion of each cycle.

To fill the dispenser, turn the cap counterclockwise to open. Pour the rinse aid into the reservoir. Replace the cap and be sure it is securely in place before closing the dishwasher door. **Check the dispenser monthly and refill as needed.**

Rinse aid is available in solid form for models without a liquid dispenser. When using a solid rinse aid, fasten it to the back right corner of the lower rack. Purchase more rinse aid when the material dissolves and the container is empty.

Step 4 Starting the Dishwasher

- After loading the dishwasher and adding detergent, set the control knob to the desired cycle and press the appropriate buttons.
- Press the door until it latches. The cycle will begin with a drain prior to a fill.

Step 5 Adding a Forgotten Item

For best cleaning, the forgotten item should be added early in the cycle.

1. Unlatch the door.
2. Wait for the water circulation to stop.
3. Open the door and add the item.
4. Close and latch the door.
5. The cycle resumes automatically.

Water Hardness*	Soil Level	Detergent Amount** (per cup dosage)
Soft (0-4 gpg)	Light Soil	5 teaspoons
	Normal Soil	6 teaspoons
	Heavy Soil	8 teaspoons
Medium (5-9 gpg)	Light Soil	7 teaspoons
	Normal Soil	8 teaspoons
	Heavy Soil	10 teaspoons
Hard (10-12 gpg)	Light Soil	9 teaspoons
	Normal Soil	10 teaspoons
	Heavy Soil	12 teaspoons

*Your local water utility or state university extension service can tell you the degree of water hardness in your area.

**Add recommended amount of detergent to both compartments for Heavy or Normal wash cycles, and to the main cup only for the Light wash cycle.

Cycles at a Glance

Your dishwasher offers various cycles and options to adjust to specific load conditions. Please refer to the chart below.

CYCLE	SEQUENCE	WATER USE
Heavy Wash for heavily soiled dishes and pots & pans	3 Prewashes, Main Wash, Purge, Rinse	10.0 gallons
Normal Wash for normally soiled dishes	2 Prewashes, Main Wash, Purge, Rinse	8.0 gallons
Light Wash for lightly soiled dishes	Prewash, Main Wash, Purge, Rinse	6.0 gallons
Rinse Only for rinsing dishes waiting for a full load	Rinse Off	2.0 gallons

Options and Indicator Lights:

Temp Boost (select models) checks the main wash and final rinse water temperatures and will extend the heating and water circulation until proper water temperature is reached.

Select **Temp Boost** to ensure proper water temperature for activating detergent and dissolving greasy food soils.

Extended Wash (select models) provides a water temperature check early in the main wash and also in the final rinse of the cycle. If necessary, the heating element turns on and the cycle extends until the water is heated to the proper temperature. Select **Extended Wash** for best results when washing loads with tough food soils.

Heated Dry turns the heating element on to improve drying results. Selecting **Heated Dry Off (select models)** or **Energy Saver (select models)** turns the element off to save energy. Towel drying may be needed with these selections. In models with plastic interiors, it is normal to notice vapor escaping from the door vents as the heat dries your dishes. Vapor will escape even if Heated Dry is **not** selected.

CAUTION: In models with plastic interiors, it is normal to notice vapor escaping from the door vents in the upper left corner of the door as the heat dries your dishes. The vapor is hot and may cause minor burns.

Delay Hours (select models) can be used to delay the start of the cycle for up to 6 hours. The **Delay Start** indicator light glows when the dishwasher is set for a delay start.

The **Water Heating** indicator light (select models) illuminates when the cycle is being extended to heat the water to the proper temperature.

Care & Cleaning

Interior

The dishwasher interior is normally self-cleaning. Periodically check the bottom of the dishwasher tub to see if any large particles have not gone through the strainer portion of the module.

Wipe the edge of the inner door liner to remove any food soil splashes which occurred during loading.

The color from some tomato-based food soils has been known to occasionally adhere to today's dishwasher tubs, causing temporary discoloration. To help prevent this, **when washing a load of dishes soiled with tomato sauce:**

- Scrape excess tomato-based food soils off of dishes, prior to loading. Do not prewash the dishes, however.
- Run the **Heavy Wash** cycle.

Exterior

The front of the dishwasher can be cleaned with a soft damp cloth and liquid spray cleaner. Do not use abrasive powders or cleaning pads.

Storage/Moving

Fill both detergent cups with a fresh-scented dishwasher detergent or baking soda and select the **Normal Wash** cycle. Allow the dishwasher to complete the cycle. Then turn the water supply off and drain the dishwasher. To drain, start any cycle as all cycles begin with a drain. Listen for the drain to

complete, then open the door to interrupt the cycle prior to the fill. Operate the drain twice to ensure most of the water is removed. Last, disconnect the electrical supply and prop open the door. (See Important Safety Instructions, #14, page 1).

To Change the Door Panel Insert (select models)

WARNING: Disconnect electrical power to the dishwasher before changing the door panel insert.

1. Using a Phillips screw driver, remove either the right or left-hand door trim strips by removing the three screws.
2. Grasp the panel insert(s) and gently flex out slightly. Slide panel(s) out about two inches. Continue to flex insert panel(s) enough to remove them. Use care, edges may be sharp.
3. Select color and reinstall panel(s). Place insert panel(s) (notched corners at the top) on the inside of the lower door panel trim. Make sure the upper notched corners of the insert(s) are under the control panel.
4. Reinstall the side trim.

What Can and Cannot Be Washed

Most tableware, cookware and flatware can safely be washed in your dishwasher. If you have any doubts about an item, check with the manufacturer

Material	Dishwasher Safe?	Special Information
Aluminum	Yes, except anodized.	High water temperature and detergents may affect finish.
Cast Iron	No	Seasoning will be removed, and iron will rust.
China/ Stoneware	No, if antique or hand-painted.	Always check manufacturer's recommendation before washing. Antique, hand-painted or over-the-glaze patterns may fade. Gold leaf may discolor.
Crystal	No, if antique or delicate crystal.	Always check manufacturer's recommendation before washing. Some types of leaded crystal may etch with repeated washings.
Furnace Filters	Not recommended.	May leave a dingy deposit or stain on dishwasher interior.
Glass	Yes	Milkglass can yellow with repeated dishwasher washing.
Gold-Plated Flatware	No	Will discolor.
Pewter, Tin	No	
Plastics	Yes, top rack.	Always check manufacturer's recommendation before washing. Plastics vary in their capacity to withstand high water temperatures and detergents. Disposable plastic items are not dishwasher safe for this reason.
Stainless Steel	Yes	Run a Rinse Only cycle if not washing immediately. Prolonged contact with foods containing salt, vinegar, milk products or juice could damage finish.
Sterling Silver or Silverplate	No, if has commercial "darkening".	Always check manufacturer's recommendation before washing. Run a Rinse Only cycle if not washing immediately. Prolonged contact with food containing salt, acid or sulfide (eggs, mayonnaise and seafood) could damage finish. Commercial "darkening" may be removed by detergent.
Wooden Items	No	Wood may warp, crack or discolor.

Before You Call

Check these points to help save you time and money.

Dishwasher Will Not Fill:

- Be sure door is latched securely.
- Be sure the water is turned on.
- Check that the dial/pad is properly selected for a cycle.
- Allow time for select models to drain/pause before filling.
- Check your home's circuit breaker or fuse box.
- Check inlet hose for a kink.
- Check water valve inlet for sediment and clean if necessary.

Dishwasher Will Not Drain/Water In Tub Bottom:

- If connected to a food waste disposer, be sure the knock-out is removed from the disposer inlet.
- Be sure the drain hose is elevated at least 32" so water cannot siphon back into the tub.
- Check for food obstruction in the drain or disposer.
- Check drain hose for a kink.
- Check your home's circuit breaker or fuse box.
- Check that the cycle is completed.

Detergent Cup Is Not Empty:

- Check that the cycle is completed.
- Be sure dispenser is not blocked by a dish or utensil.
- Use fresh detergent stored in a cool, dry place.

Dishwasher Seems Noisy:

- A water valve hiss during fill is normal.
- Water circulation sounds are normal.
- A ticking noise is a normal timer sound.
- A thumping sound may be a wash arm bumping an item that is extending beyond the racks.
- Chopping or grinding sounds may be heard during drain as the internal chopper blade chops hard items like fruit seeds, nuts, etc.
- Humming during the drain is normal.
- A snap noise is the detergent cup lid hitting the door liner when the dishwasher door is opened at the end of the cycle. This is normal.
- Proper installation affects the noise level.

Cycle Takes Too Long (Heating Delay Light Stays On, select models):

- AccuTemp™ or Temp Boost (select models) has been selected and the cycle is extended if the water temperature is low.
- Check to see that the incoming water temperature is 120-140° F (49-60° C).

Dishwasher has an Odor:

- Run dishes being held in the dishwasher through a Rinse Only cycle.
- Many dishwashers have a "new" smell when first installed. This will dissipate with use.
- Dishwasher may not be draining properly. (See "Will Not Drain" section.)
- For a strong odor place baking soda in both sides of the detergent cup. Select Light Wash and allow the water to circulate for about 10 minutes. Interrupt the cycle by unlatching the door and let it stand overnight. Restart the dishwasher by latching the door and allow it to complete the cycle. A commercial dishwasher cleaning product such as Jet-Dry Dishwasher Cleaner* can also be used.

Dishwasher Leaks:

- Check that the dishwasher is level. (Refer to the Installation Instructions.)
- Suds can cause the dishwasher to overflow. Measure the detergent carefully and use only detergents designed for use in a dishwasher. Less detergent is needed in soft water. Try another brand if sudsing continues.
- Follow directions closely on how to add a forgotten item (pg. 3).
- Be sure the Rinse Aid (select models) lid is securely attached and is not leaking.

* Brand names are trademarks of the respective manufacturer.

Before You Call

Food Soil Remains on Dishes:

- Check water temperature (pg 3).
- Run hot water at the sink before starting the dishwasher.
- Select AccuTemp™ or Temp Boost (select models).
- Check water hardness and adjust detergent amount accordingly (pg. 3).
- Use fresh detergent stored in a cool dry place.
- Select proper cycle for the soil level.
- Load items so they do not block the wash arms or center tower (pg. 2).
- Load the utensil basket with some handles up and some down to prevent nesting.
- Do not place glasses over tines.
- Prior to loading, scrape off burnt on foods and wipe the starchy film from utensils used with pasta, rice and oatmeal. These soils require more energy than the rest of the load to clean.

Glasses Are Cloudy/Spotted:

- Always use a rinse aid.
- Check water temperature, incoming water should be 120°-140° F (49-60° C).
- Confirm that the cloudiness is removable by soaking the item in white vinegar for approximately 5 minutes. If removed, the problem is due to hard water. Adjust detergent amount being used to match water hardness (pg. 3). Be sure detergent is fresh, stored properly and is a high quality brand.
- If cloudiness is not removable, it is etching. This is an erosion of the surface of the glassware and can be caused by water that is too hot, from using too much detergent or by prewashing. Detergent needs food soil to act upon. If etching has occurred, the glassware is permanently damaged. To prevent further etching, adjust the detergent amount to match the water hardness, stop prewashing, and be sure incoming water is not greater than 140° F (60° C). Use water heating options only when incoming water temperature is below 120° F (49° C).

Items Washed In The Dishwasher Or The Dishwasher Tub Itself Is Stained/Discolored:

- Aluminum utensils or pans can leave marks when they rub against other items. Leave a slight space between items.
- Iron deposits in the water can leave a yellow, brown or orange film on dishes or the dishwasher tub. A filter may be needed, check with a water treatment company. RoVer Rust Remover* (part no. 057961)** can be used to remove rust. Do not use RoVer along with dishwasher detergent. Fill both cups with RoVer and complete a Normal Wash cycle. Follow with a short wash cycle using dishwasher detergent.
- Color from tomato sauces may adhere to the tub (pg. 4). If light staining has occurred, leave the door open to oxidize the stain away. For removal of heavier stains, try a citric acid containing dishwasher cleaning product such as Glisten* (part no. 18001017)**. Change dishwasher detergent and be sure to use a dishwasher detergent that contains chlorine to better fight staining.

Items Not Properly Dried/Moisture Is Present On The Dishwasher Interior After The Dry Cycle:

- Be sure Heated Dry is selected.
- Water droplets may form on the inner door as part of the drying process.
- Always use a rinse aid like Jet Dry* or Cascade Rinse Aid*.
- Check water temperature (pg. 3).
- Select AccuTemp™ or Temp Boost (select models).
- Increase detergent amount to match water hardness (pg. 3).
- Load properly (pg. 2)
- Plastic and teflon items are difficult to dry because the porous surface tends to collect water droplets. Towel drying may be necessary.
- Glasses and cups with concave bottoms hold water and require towel drying.

Dishware is Chipped:

- Load dishes according to instructions so they do not strike each other (pg. 2).
- Washing antique china/crystal in the dishwasher is not recommended.
- Do not load glasses over the tines.
- Do not overload.

* Brand names are trademarks of the respective manufacturer.

** Call 1-800-688-8408 to order.

Portable Dishwashers

⚠ WARNING

Electrical Grounding Instructions - Portable models are equipped with a (three-prong) grounding plug for your protection against shock hazard and should be plugged directly into a properly grounded receptacle. **Do not** cut or remove the grounding prong from this plug.

Connecting a Portable

1. Turn on the faucet at the sink until the water runs hot. Turn off the faucet.
2. Pull the connector from the recess in the back of the dishwasher.
3. Press down on the thumb release and lift the connector onto the faucet.
4. Remove pressure from the thumb release and tug slightly on the connector to be sure it is securely in place.
5. Turn the hot water on full force.
6. Check that the sink drain is open so water from the dishwasher can drain properly.
7. Pull the electrical cord from the recess. Plug it into a properly grounded outlet.
8. Select the proper cycle and options for the load and start the dishwasher.

Care and Cleaning

Clean the cabinet and laminate top with a soft damp cloth and liquid spray cleaner.

To polish and protect the laminate top, use a product specifically developed for countertops such as Hope's Countertop Polish*.

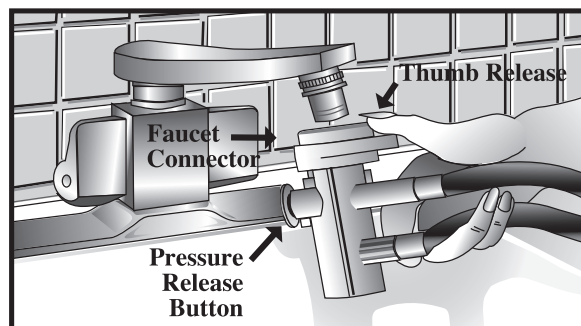
Apply an appliance wax to the cabinet once a year.

Note: To protect the laminate top from damage, do not use it as a cutting surface or resting place for warm/hot cookware. Do not slide ceramic or other hard or abrasive objects across the surface.

*Brand names are the trademarks of the respective manufacturer.

Disconnecting a Portable

1. Be sure to turn the water supply off and press the pressure release button **BEFORE** removing the connector.
2. Press down on the thumb release and remove the connector from the faucet.
3. Push the connector and hoses back into the cabinet recess.
4. Unplug the electrical cord and push it back into the cabinet recess.



Warranty & Service

Warranty

Limited One Year Warranty - Parts and Labor

For **one (1) year** from the original retail purchase date, any part which fails in normal home use will be repaired or replaced free of charge.

Canadian Residents

The above warranties only cover an appliance installed in Canada that has been certified or listed by appropriate test agencies for a compliance to a National Standard of Canada unless the appliance was brought into Canada due to transfer of residence from the United States to Canada.

*The specific warranties expressed above are the **ONLY** warranties provided by the manufacturer. These warranties give you specific legal rights, and you may also have other rights which vary from state to state.*

CUSTOMER'S SOLE AND EXCLUSIVE REMEDY UNDER THIS LIMITED WARRANTY SHALL BE PRODUCT REPAIR AS PROVIDED HEREIN. IMPLIED WARRANTIES, INCLUDING WARRANTIES OF MERCHANTABILITY OR FITNESS FOR A PARTICULAR PURPOSE, ARE LIMITED TO ONE YEAR OR THE SHORTEST PERIOD ALLOWED BY LAW. MAYTAG CORPORATION SHALL NOT BE LIABLE FOR INCIDENTAL OR CONSEQUENTIAL DAMAGES. SOME STATES AND PROVINCES DO NOT ALLOW THE EXCLUSION OR LIMITATION OF INCIDENTAL OR CONSEQUENTIAL DAMAGES, OR LIMITATIONS ON THE DURATION OF IMPLIED WARRANTIES OF MERCHANTABILITY OR FITNESS, SO THESE EXCLUSIONS OR LIMITATIONS MAY NOT APPLY TO YOU. THIS WARRANTY GIVES YOU SPECIFIC LEGAL RIGHTS AND YOU MAY ALSO HAVE OTHER RIGHTS, WHICH VARY STATE TO STATE OR PROVINCE TO PROVINCE.

What is Not Covered By These Warranties

1. Conditions and damages resulting from any of the following:
 - a. Improper installation, delivery, or maintenance.
 - b. Any repair, modification, alteration, or adjustment not authorized by the manufacturer or an authorized servicer.
 - c. Misuse, abuse, accidents, unreasonable use, or acts of God.
 - d. Incorrect electric current, voltage, electrical and/or gas supply.
 - e. Improper setting of any control.
2. Warranties are void if the original serial numbers have been removed, altered, or cannot be readily determined.
3. Light bulbs, water filters and air filters.
4. Products purchased for commercial or industrial use.
5. The cost of service or service call to:
 - a. Correct installation errors. For products requiring ventilation, rigid metal ducting must be used.
 - b. Instruct the user on the proper use of the product.
 - c. Transport the appliance to and from the servicer.
6. Any food loss due to refrigerator or freezer product failures.
7. Expenses for travel and transportation for product service in remote locations.
8. Outside of the United States and Canada this warranty does not apply. Contact your dealer to determine if another warranty applies.
9. Consequential or incidental damages sustained by any person as a result of any breach of these warranties. Some states do not allow the exclusion or limitation of consequential or incidental damages, so the above exclusion may not apply.

If You Need Service

First see the Troubleshooting section in your Use and Care Guide or call the dealer from whom your appliance was purchased or call Maytag Services, LLC, Customer Assistance at 1-800-688-9900 USA and 1-800-688-2002 Canada to locate an authorized servicer.

- Be sure to retain proof of purchase to verify warranty status. Refer to WARRANTY for further information on owner's responsibilities for warranty service.
- If the dealer or service company cannot resolve the problem, write to Maytag Services, LLC, Attn: CAIR® Center, P.O. Box 2370, Cleveland, TN 37320-2370, or call **1-800-688-9900 USA and 1-800-688-2002 Canada**. U.S. customers using TTY for deaf, hearing impaired or speech impaired, call 1-800-688-2080.
- User's guides, service manuals and parts information are available from Maytag Services, LLC, Customer Assistance.

Notes: When writing or calling about a service problem, please include:

- a. Your name, address and telephone number;
- b. Model number and serial number;
- c. Name and address of your dealer or servicer;
- d. A clear description of the problem you are having;
- e. Proof of purchase (sales receipt).

GUIDE DE L'UTILISATEUR

Votre satisfaction étant très importante pour nous, veuillez lire attentivement ce guide. Vous y trouverez des instructions sur le fonctionnement et l'entretien appropriés de votre nouvel appareil.

Économiser temps et argent. En cas d'anomalie, consulter la section «Avant de contacter un dépanneur». L'information qu'on y trouve permet de résoudre plusieurs problèmes simples sans recourir à un dépanneur.

Table des Matieres

Sécurité	11
Conseils de Chargement	12
Conseils d'Utilisation	13
Les Contrôles en Bref	14
Nettoyage et Entretien	14
Matériaux allant ou non au lave-vaisselle	15
Avant d'appeler	16-17
Lave-Vaisselle Portatif	18
Guía del Usuario	19

Installateur : Veuillez laisser ce guide avec cet appareil.

Consommateur : Veuillez lire et garder ce guide pour consultation ultérieure. Conservez le reçu ou le chèque encaissé comme preuve de l'achat.

Numéro de modèle _____

Numéro de série _____

Date d'achat _____

Pour des questions, appelez :

1-800-688-9900 aux É.-U. et 1-800-688-2002 Canada
(Lundi au vendredi, 8 h à 20 h, heure de l'Est)

Dans le cadre de nos pratiques d'amélioration constante de la qualité et de la performance de nos appareils, des modifications peuvent être introduites sur les appareils sans que cela donne lieu à une révision de ce guide.

Sécurité

Ce que vous devez savoir sur les instructions de sécurité

Les instructions de sécurité importantes et les avertissements paraissant dans ce guide ne sont pas destinés à couvrir toutes les situations et conditions éventuelles qui peuvent se présenter. Il faut faire preuve de bon sens et de prudence lors de l'installation, de l'entretien ou de l'utilisation de l'appareil.

Prenez toujours contact avec votre fabricant, au sujet de problèmes ou conditions que vous ne comprenez pas.

Reconnaissez les étiquettes, phrases ou symboles sur la sécurité

AVERTISSEMENT

AVERTISSEMENT – risques ou pratiques non sûres, qui **POURRAIENT** résulter en de graves blessures ou même la mort.


ATTENTION

ATTENTION – risques ou pratiques non sûres, qui **POURRAIENT** résulter en blessure mineure ou d'endommager le produit.

Instructions de sécurité importantes

AVERTISSEMENT

Vérifier avec l'installateur pour s'assurer que l'appareil a été correctement mis à la terre pour éviter tout choc électrique. S'assurer de lire les instructions de sécurité personnelles importantes avant d'utiliser ce lave-vaisselle.

Les produits portant une étiquette  ont été homologués par Underwriter's Laboratories, Inc. – ceux portant une étiquette CSA ont été homologués par la Canadian Standards Association (CSA). Néanmoins, comme pour tout autre équipement utilisant l'électricité et des pièces mobiles, il y a un danger potentiel.

AVERTISSEMENT

Lors de l'utilisation du lave-vaisselle, suivre ces précautions de base :

1. Lire la totalité des instructions avant d'utiliser le lave-vaisselle.
2. Utiliser le lave-vaisselle uniquement pour les applications.
3. Débrancher le lave-vaisselle avant tout entretien.
4. Pour éviter tout risque de choc électrique, les côtés et l'arrière doivent être fermés et le panneau avant doit être fixé avant de brancher le lave-vaisselle. Se reporter aux instructions d'installation pour les méthodes correctes de mise à la terre.
5. Brancher le lave-vaisselle à un circuit électrique correctement protégé, d'une puissance nominale appropriée et avec fils de calibre adéquat.
6. Il ne faut jamais laisser les enfants utiliser ou jouer dans, avec ou autour du lave-vaisselle.
7. Pour réduire le risque de blessure lors du chargement du lave-vaisselle, il faut placer les articles pointus ou aiguisés avec le manche vers le dessus. De même, loger les articles pointus pour qu'ils n'endommagent pas le joint de la porte.
8. Ne pas toucher à l'élément chauffant au bas de la cuve durant ou à la fin d'un cycle car il est chaud.
9. N'utiliser que des détergents et des agents de rinçage conçus pour un lave-vaisselle résidentiel automatique. Ne jamais utiliser de savon, de détergent lessiviel ou de détergent de lavage à la main dans votre lave-vaisselle. Garder ces produits hors de portée des enfants.
10. Ne pas s'asseoir, se mettre debout ou maltraiter la porte ou les paniers du lave-vaisselle.
11. Sous certaines conditions, de l'hydrogène peut se former dans un système d'eau chaude qui n'a pas été utilisé pendant deux semaines ou plus. *L'hydrogène est un gaz explosif.* Si le système d'eau chaude n'a pas été utilisé pendant une telle période, ouvrir tous les robinets d'eau chaude et laisser couler l'eau pendant plusieurs minutes. Ceci diminuera l'accumulation d'hydrogène. Comme il s'agit d'un gaz inflammable, ne pas fumer ou utiliser de flamme vive durant cette opération.
12. Ne pas laver d'articles en plastique ne portant pas l'indication « lavable en lave-vaisselle ». Pour des articles en plastique sans indication, vérifier les recommandations du fabricant.
13. Ne pas circonvier les commandes.
14. Pour éviter tout risque d'enfermement et/ou de suffocation accidentelle d'un enfant, toujours enlever la porte du compartiment de lavage lorsque l'on enlève un ancien lave-vaisselle ou qu'on le jette.
15. Faire preuve de prudence en déchargeant le lave-vaisselle. La vaisselle peut être chaude si elle est déchargée peu de temps après la fin d'un cycle.
16. Les lave-vaisselle à usage résidentiel certifié ne sont pas conçus pour les établissements alimentaires homologués.
17. Pour éviter que l'eau ou la moisissure ne détériore votre habitation, vérifiez régulièrement les raccordements d'arrivée d'eau et les tuyaux d'évacuation pour d'éventuelles fuites.

Conserver ces instructions

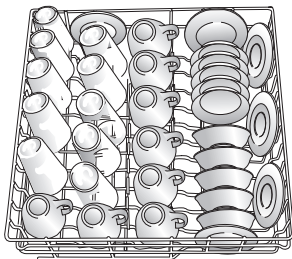
Conseils de Chargement

- Enlever les os et les gros morceaux de nourriture ainsi que l'excès de graisse ou de substances grasses.
- Gratter ou faire tremper les récipients dans lesquels des aliments ont brûlé car ils exigent davantage d'énergie que le reste de la vaisselle pour donner des résultats satisfaisants.
- Gratter les taches tenaces laissées par les aliments à base de tomates
- Si le lave-vaisselle s'évacue dans un broyeur à déchets, veiller à ce que celui-ci soit totalement vide avant de mettre le lave-vaisselle en marche afin d'assurer la bonne évacuation de l'eau.
- La moutarde, la mayonnaise, le vinaigre, le citron et autres aliments acides peuvent entraîner la formation de rouille ou la décoloration de l'acier inoxydable. Rincer aussi rapidement que possible.
- Les féculents comme les pommes de terre, les pâtes, le riz et le gruau d'avoine exigent davantage d'énergie que le reste de la vaisselle pour donner des résultats satisfaisants.
- Placer les articles dans les paniers de façon à ce qu'ils ne soient pas collés les uns aux autres et les tourner vers le centre.
- Les pièces légères et plates peuvent être glissées à côté du panier à couverts ou le long des côtés et de l'arrière des paniers.
- Charger la vaisselle de façon à ce qu'aucun article ne repose sur le dessus de la tourelle au centre du panier inférieur.
- Éviter de bloquer les bras gicleurs inférieur et supérieur. Pour cela, ne rien laisser dépasser des paniers.
- Pour assurer un lavage et un rinçage corrects, placer les verres en rangées dans l'un ou l'autre panier. Ne pas placer les verres sur les tiges de retenue.

Panier supérieur

(les caractéristiques peuvent varier en fonction du modèle)

Ce panier est conçu pour les verres, les tasses, les petites assiettes, les bols, les récipients, etc. Les bols se placent dans la partie arrière du panier supérieur, où ils sont maintenus fermement en place. **Ne pas placer les verres sur les tiges de retenue.**



10 Couverts

La tablette Twin Shelf (modèles sélectionnés), du côté droit du panier supérieur, se relève et se rabat, permettant plus de flexibilité dans le chargement d'une variété d'articles. La rabattre pour maintenir en place couteaux à long manche, spatules et cuillères ou encore des articles de peu de hauteur tels que tasses ou verres à jus de fruit. La relever pour permettre de placer des articles plus hauts tels que bols, assiettes, etc.

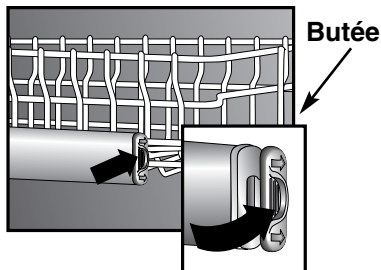
Pour Retirer le Panier Supérieur

On peut retirer le panier supérieur si on désire placer des articles de plus grandes dimensions dans le panier du bas.

Remarque: Ne pas disposer d'articles par-dessus la tour centrale de lavage.

Pour retirer le panier supérieur:

- Faire rouler le panier vers soi jusqu'à ce qu'il soit retiré environ du tiers ou de la moitié.
- Pour retirer la butée en plastique installée à l'extrémité de chaque glissière, pousser vers l'intérieur (vers le panier) sur la moulure de la butée. La butée s'ouvre d'un coup sec; il est alors facile de l'enlever en tirant vers soi. S'assurer de bien soutenir la glissière au moment d'enlever les butées.



- Tirer complètement le panier vers soi afin de le retirer du lave-vaisselle.
- Pour remettre le panier supérieur en place, inverser l'ordre des instructions précitées.

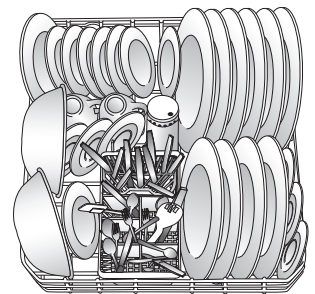
Panier inférieur

(les caractéristiques peuvent varier en fonction du modèle)

Les articles de grandes dimensions se placent à l'endroit qui semble le mieux convenir dans le panier inférieur. Tourner la surface sale vers le centre.

L'arrière de ce panier peut recevoir une rangée de grandes assiettes ou deux rangées de petites assiettes. Les saladiers et les casseroles peuvent se à l'avant de ce panier ou se à placer l'gauche.

Les tiges de retenue rabattables qui se trouvent sur la droite offrent un maximum de flexibilité pour le chargement d'articles de grandes dimensions.



10 Couverts

Panier à couverts amovible

(les caractéristiques peuvent varier en fonction du modèle)

Pour de meilleurs résultats de lavage, éviter de disposer les ustensiles l'un sur l'autre. En ce sens, placer la poignée de certains ustensiles vers le bas, et d'autres vers le haut. Charger les couteaux en disposant la poignée vers le haut par les fentes de la section recouverte lorsqu'elle est fermée (certains modèles).

S'assurer que les ustensiles minces pointus ne dépassent pas du panier, sinon ils risquent de bloquer le mouvement du bras inférieur de lavage.

Placer les petits ustensiles légers, comme les cuillers de bébé et les cuillers à mesurer de plastique dans la section recouverte (certains modèles) du panier durant le lavage.

Conseils d'Utilisation

Pas 1 Eau Chaude

Pour obtenir les résultats voulus, elle doit être entre 49° et 60° C (120° et 140° F). Vérifier la température de l'eau, ouvrir le robinet d'eau chaude le plus proche du lave-vaisselle et faire couler l'eau dans un verre, dans l'évier. Mettre un thermomètre à confiserie dans le verre, attendre que la température cesse de monter et lire la température indiquée. Si l'eau est à une température inférieure à 49° C (120° F), faire régler le thermostat de votre chauffe-eau par une personne qualifiée.

Si la température est particulièrement basse à l'extérieur ou si la distance est grande entre le chauffe-eau et le lave-vaisselle, il se peut que ouvrir le robinet d'eau chaude de l'évier et le laisser couler jusqu'à ce que l'eau sorte très chaude. Ceci s'assure que le remplissage initial de l'eau est chaud.

Pas 2 Détergent

Utiliser du détergent conçu spécifiquement pour les lave-vaisselle. Tout autre type de détergent (pour la lessive, savon, etc.) produira trop de mousse. Veiller à utiliser du détergent frais et à l'entreposer dans un endroit frais et sec (pas sous l'évier).

La quantité de détergent à utiliser dépend de la dureté de l'eau (mesurée en grains par 3,8 L (gallons), ou gpg*) et du degré de saleté de la vaisselle. En règle générale, plus l'eau est dure et plus la vaisselle est sale, plus il faut de détergent. Référez-vous au diagramme suivant pour des recommandations détergent d'utilisation.

Ne pas utiliser de détergent avec le cycle **Rinse Only (rinçage seulement)**. Laisser le couvercle du distributeur ouvert lors de l'exécution du cycle **Rinse Only (rinçage seulement)**.

Si la dureté de l'eau est de 13 grains ou plus, il est difficile d'obtenir de bons résultats, quel que soit le lave-vaisselle. La seule solution est alors d'ajouter un produit adoucissant l'eau pour améliorer la qualité de l'eau, l'efficacité du détergent, et protéger les pièces du lave-vaisselle contre les dommages causés par les dépôts d'eau dure.

Dureté de l'eau*	Niveau de Sale	Quantité de Détergent** (par dosage de tasse)
Douce (0 à 4 grains)	Peu Sale	5 cuillère café
	Tache Normal	6 cuillère café
	Tache Rebelle	8 cuillère café
Moyenne (5 à 9 grains)	Peu Sale	7 cuillère café
	Tache Normal	8 cuillère café
	Tache Rebelle	10 cuillère café
Dure (10 à 12 grains)	Peu Sale	9 cuillère café
	Tache Normal	10 cuillère café
	Tache Rebelle	12 cuillère café

Pas 3 Agent de Rinçage

Le distributeur d'agent de rinçage (certains modèles) ajoute automatiquement la quantité de produit voulue au rinçage final du cycle.

Pour remplir le distributeur, dévisser le capuchon et verser de l'agent de rinçage dans le réservoir. Revisser le capuchon et s'assurer qu'il soit bien en place avant de fermer la porte du lave-vaisselle. **Vérifier le distributeur tous les mois et le remplir selon le besoin.**

Des agents de rinçage sont disponibles en forme solide pour les modèles qui ne comportent pas un distributeur de liquide. Lors de l'utilisation d'un agent de rinçage solide, on doit le fixer dans l'angle arrière/droit de la grille inférieure. Il suffit de le remplacer après dissolution du produit, lorsque le réceptacle est vide.

Pas 4 Mise en Marche du Lave-Vaisselle

- Une fois le lave-vaisselle chargé et le détergent ajouté, mettre le sélecteur sur le cycle désiré et appuyer sur le ou les touches bouton appropriées.
- Appuyer sur la porte jusqu'à ce qu'elle se verrouille. Le cycle commence par une période de vidange avant de se remplir.

Pas 5 Ajout d'un Article Oublié

Pour des résultats optimums, il est préférable que l'article oublié soit ajouté aussi tôt que possible une fois le cycle commencé.

1. Déverrouiller la porte.
2. Attendre que le bruit de circulation de l'eau ait cessé.
3. Ouvrir la porte et ajouter l'article.
4. Fermer la porte et la verrouiller.
5. Le cycle reprend automatiquement.

**Le service local de distribution d'eau ou les services connexes de l'université peuvent vous indiquer le degré de dureté de l'eau dans votre région.*

***Ajoutez à recommandé la quantité de détergent aux deux compartiments pour les cycles d'Heavy or Normal de lavage, et seulement au compartiment principal pour le cycle Light de lavage.*

Les Contrôles en Bref

Votre lave-vaisselle offre plusieurs cycles et options permettant d'adapter le cycle au type de vaisselle. Le tableau ci-dessous donne leur description.

PROGRAMME	PHASES SUCCESSIVES	CONSUMMATION D'EAU
Heavy Wash (Lavage rigoureux) pour casseroles et ustensiles, et vaisselle très souillée	3 Prélavages, Lavage principal, Purger, Rinçage	37,9 litres 10,0 gallons
Normal Wash (Lavage normal) pour vaisselle normalement souillée	2 Prélavages, Lavage principal, Purger, Rinçage	30,3 litres 8,0 gallons
Light Wash (Lavage léger) pour vaisselle peu souillée	Prélavage, Lavage principal, Purger, Rinçage	22,7 litres 6,0 gallons
Rinse Only (Rinçage seulement) pour rinçage préliminaire, en attente d'une charge pleine	Rinçage Arrêt	7,6 litres 2,0 gallons

Options et Témoins Lumineux:

Temp Boost (température précise) (certains modèles) avec contrôle de la température de l'eau durant les opérations de lavage principal et rinçage final; le chauffage et la circulation de l'eau seront prolongés jusqu'à ce que la température adéquate soit atteinte. Sélectionner l'option **Temp Boost (température précise)** pour obtenir la température appropriée qui permet à l'eau d'activer détergent et de dissoudre les graisses.

Nettoyage et Entretien

Intérieur

L'intérieur de la lave-vaisselle se nettoie normalement de lui-même. Il est cependant recommandé de vérifier périodiquement, au fond de la cuve, la présence éventuelle de grosses particules qui pourraient ne pas être passées dans le filtre du module.

Il est également recommandé d'essuyer le rebord de l'habillage intérieur de la porte pour enlever les liquides qui s'y sont écoulés au cours du chargement du lave-vaisselle.

La couleur laissée par certains aliments à base de tomates adhère parfois à la cuve des lave-vaisselle modernes, causant ainsi une décoloration. **Pour aider à prévenir ceci, procéder comme suit avant de laver de la vaisselle tachée de sauce tomate:**

- Gratter l'excédent de sauce tomate sur les plats avant de les mettre dans le lave-vaisselle.
- Faire fonctionner sous le cycle **Heavy Wash (gros lavage)**.

Extérieur

L'avant du lave-vaisselle peut être nettoyé à l'aide d'un linge doux humide et de produit nettoyant liquide à vaporiser. Ne pas utiliser de poudres ni de tampons à récurer.

Remisage ou Déménagement

Remplir les deux distributeurs d'un détergent à parfum de fraîcheur ou de bicarbonate de soude et sélectionner le cycle **Normal Wash (lavage normal)**. Laisser le lave-vaisselle

L'option **Extended Wash (lavage prolongé)** (certains modèles) vérifie la température de l'eau dans les premiers instants du lavage principal et durant le rinçage final du cycle. Au besoin, l'élément chauffant s'allume et le cycle se poursuit jusqu'à ce que l'eau atteigne la température appropriée. Choisir cette option pour obtenir de meilleurs résultats lorsque la vaisselle comporte des taches rebelles.

Heated Dry (séchage avec chauffage) la mise en oeuvre d'un élément chauffant améliore le résultat du séchage. Lorsqu'on choisit de désactiver le **Heated Dry Off (séchage sans chauffage)** (certains modèles) ou lorsqu'on choisit l'option **Energy Saver (d'Économie d'énergie)** (certains modèles) l'élément chauffant n'est pas utilisé, ce qui économise l'énergie. Il peut alors être nécessaire d'effectuer un essuyage manuel avec un torchon. Dans les modèles avec intérieur en plastique, il est normal que de la vapeur s'échappe de l'évent de la porte pendant que la chaleur sèche la vaisselle. De la vapeur s'échappera même si l'option **Heated Dry** n'est pas sélectionnée.

ATTENTION : Dans les modèles avec intérieur en plastique, il est normal de remarquer que de la vapeur s'échappe de l'évent de la porte dans le coin supérieur gauche de la porte alors que la chaleur sèche la vaisselle. La vapeur est chaude et peut causer des brûlures mineures.

Delay Hours (lavage différé) (certains modèles) cette fonction permet de différer la mise en marche du lave-vaisselle jusqu'à 6 heures. Le témoin «mise en marche différée» s'illumine lorsque cette fonction a été sélectionnée.

Le voyant **Water Heating (chauffe-eau)** s'allume lorsque le cycle se prolonge pour chauffer l'eau jusqu'à la température appropriée.

terminer le cycle. Fermer le robinet d'alimentation en eau et vider le lave-vaisselle. Faire fonctionner la portion vidange du cycle une deuxième fois pour éliminer la plus grande partie de l'eau. Finalement, débrancher l'alimentation électrique et ouvrir la porte. (Consulter l'importante consigne de sécurité 14 à la page 11).

Changement du panneau de la porte (modèles sélectionnés)

DANGER : Débrancher le lave-vaisselle ou le couper du secteur avant de changer le panneau de la porte.

1. À l'aide d'un tournevis cruciforme, enlever les trois vis qui retiennent les bandes de garniture de droite ou de gauche de la porte et enlever celles-ci.
2. Tenir le rebord du panneau et le plier doucement vers l'extérieur. Glisser le panneau vers l'extérieur sur environ 2 po (5 cm). Continuer à plier le panneau pour en permettre le retrait. Agir avec précaution, car les rebords peuvent être coupants.
3. Sélectionner la couleur désirée et remettre le panneau ou les deux panneaux en place. Les placer (coins évidés vers le haut) sous la moulure inférieure. Veiller à ce que les coins évidés se trouvent sous le tableau de commande.
4. Remettre la bande de garniture latérale et la fixer en place.

Matériaux Allant ou Non au Lave-Vaisselle

La plupart des plats, assiettes, couverts et récipients servant à la cuisson et à la consommation d'aliments peuvent être lavés sans danger dans votre lave-vaisselle. Néanmoins, en cas de doute sur un article, vérifier avec le fabricant.

Matériau	Convient au Lave-Vaisselle ?	Renseignements Utiles
Aluminium	Oui, sauf l'aluminium anodisé .	L'eau à température élevée et le détergent peuvent en abîmer le fini.
Fonte	Non	Le «culottage» de la fonte se trouve enlevé et le fer rouille.
Porcelaine/Faïence	Non s'il s'agit de porcelaine ancienne ou peinte à la main.	Toujours vérifier les recommandations du fabricant avant de laver. La porcelaine ancienne, peinte à la main et les motifs rapportés peuvent perdre de leur netteté. Les dorures peuvent ternir.
Cristal	Non s'il s'agit de cristal ancien ou de cristal fin et fragile.	Toujours vérifier les recommandations du fabricant avant de laver. Un voile peut se former sur certains types de cristal de plomb après des lavages répétés.
Filtres de Fournaise	Non recommandés.	Peut laisser une tache ou un dépôt poisseux sur la paroi intérieure du lave-vaisselle.
Verre	Oui	L'opaline jaunit lorsqu'elle est lavée au lave-vaisselle de façon répétée.
Étain, Bois	Non	Ternit.
Couverts plaqués or	Non	
Plastique	Oui, panier supérieur	Toujours vérifier les recommandations du fabricant avant le lavage. Les plastiques résistent différemment aux températures élevées de l'eau et aux détergents. Les articles de plastique jetables ne conviennent pas au lave-vaisselle pour cette raison.
Acier Inoxydable	Oui	Utiliser le cycle «Rinse Only» (rinçage d'attente) si les articles ne vont pas être lavés immédiatement. Le contact prolongé avec les aliments contenant du sel, du vinaigre, des produits laitiers ou du jus de fruits peut en abîmer le fini.
Argent our Plaqué Argent	Non s'il a été « patiné » artificiellement.	Toujours vérifier les recommandations du fabricant avant de mettre au laver. Utiliser le cycle «Rinse Only» (rinçage d'attente) si les articles ne vont pas être lavés immédiatement. Le contact prolongé avec les aliments acides ou contenant du sel ou du soufre (oeufs, mayonnaise, fruits de mer) peuvent en abîmer le fini. La «patine» artificielle peut être éliminée par le détergent.
Fer Blanc	Non	Le bois peut gauchir, se fendre ou ternir.

Avant d'Appeler

Vérifier ces points pour épargner temps et argent si:

Le lave-vaisselle ne se remplit pas :

- S'assurer que la porte est fermée à fond et verrouillée.
- Vérifier que l'arrivée d'eau est bien ouverte.
- Vérifier que la touche du cycle désiré est bien enfoncée ou que le sélecteur est sur le cycle désiré.
- Attendre, dans le cas de certains modèles, que le lave-vaisselle se vidange ou fasse une pause avant de se remplir.
- Vérifier le disjoncteur ou la boîte à fusibles.
- Vérifier que le boyau d'arrivée d'eau n'est pas tordu.
- Vérifier si l'électrovanne est obstruée par des sédiments et nettoyer s'il y a lieu.

Le lave-vaisselle ne s'évacue pas/Eau au fond de la cuve :

- Si le lave-vaisselle est relié à un broyeur à déchets, vérifier que l'obturateur du broyeur a bien été enlevé.
- Veiller à ce que le boyau de vidange soit surélevé d'au moins 81,3 cm (32 po) de façon à ce que l'eau ne soit pas resyphonée dans la cuve.
- S'assurer qu'aucune nourriture ne vient obstruer le boyau ou le broyeur.
- Vérifier que le boyau de vidange n'est pas tordu.
- Vérifier le disjoncteur ou la boîte à fusibles.
- Vérifier que le cycle est bien terminé.

Le compartiment de détergent ne se vide pas :

- Vérifier que le cycle est bien terminé.
- Vérifier que l'ouverture du distributeur n'est pas bloquée par un plat ou un ustensile.
- Utiliser du détergent frais et le ranger dans un endroit frais et sec.

Le lave-vaisselle semble bruyant :

- Le sifflement de l'électrovanne pendant le remplissage est normal.
- Les bruits de circulation d'eau sont normaux.
- Un tic-tac est normal et provient de la minuterie.
- Un cognement peut être dû au bras gicleur qui tappe dans un article qui dépasse des paniers.
- Des craquements et des grincements peuvent se faire entendre lorsque la lame interne du broyeur coupe des produits durs, comme des noyaux, des noix, etc.
- Il est normal qu'il se produise un bourdonnement pendant l'évacuation de l'eau.
- Un claquement provient du couvercle du compartiment du distributeur de détergent qui tappe dans l'habillage intérieur de la porte lorsque la porte du lave-vaisselle est ouverte à la fin du cycle. Cela est normal.
- Le niveau de bruit dépend de la qualité de la mise en service.

Le cycle est trop long (le voyant «Heating Delay» reste allumé, certains modèles) :

- Les options AccuTemp™ (température précise) or Temp Boost (certains modèles) ont été choisies et le cycle se prolonge si la température de l'eau est basse.
- Vérifier si le chauffe-eau est réglé de façon à assurer une eau entre 49° et 60° C (120° et 140° F) au robinet.

Le lave-vaisselle a une odeur :

- Démarrer le cycle Rinse Only (rinçage seulement) lorsqu'on désire laisser la vaisselle dans le lave-vaisselle.
- Un lave-vaisselle nouvellement installé a une odeur de «neuf». Celle-ci disparaît à l'usage.
- Le lave-vaisselle ne s'évacue pas correctement. (Voir sous «Le lave-vaisselle ne s'évacue pas».)
- Si l'odeur est forte, verser du bicarbonate de soude de part et d'autre du distributeur de détergent. Sélectionner le cycle Light Wash (lavage léger) pour faire circuler l'eau pendant environ 10 minutes. Interrompre le cycle en déverrouillant la porte et laisser tel quel pendant une nuit. Redémarrer le lave-vaisselle en verrouillant la porte et laisser terminer le cycle. Il est aussi possible d'utiliser un nettoyeur de lave-vaisselle, comme le produit Jet-Dry Dishwasher Cleaner*.

Fuites :

- Vérifier que le lave-vaisselle est de niveau. (Voir le manuel de mise en service.)
- La mousse peut faire déborder le lave-vaisselle. Mesurer le détergent avec soin et utiliser uniquement du détergent pour lave-vaisselle. Une eau douce nécessite moins de détergent. Essayer une autre marque de détergent si le détergent utilisé continue à produire trop de mousse.
- Veiller à procéder selon la marche à suivre indiquée pour ajouter un article oublié. (Voir page 13.)
- S'assurer que le couvercle de l'agent de rinçage (certains modèles) est bien fixé et que ne fuit pas.

*Les noms de produits sont des marques déposées de leurs fabricants.

Voir page suivante

Avant d'Appeler

Il reste des résidus de nourriture sur la vaisselle :

- Vérifier la température de l'eau. (Voir page 13).
- Faire couler le robinet d'eau chaude de l'évier avant de mettre le lave-vaisselle en marche.
- Sélectionner le option AccuTemp™ (température précise) ou Temp Boost (certains modèles).
- Vérifier la dureté de l'eau et modifier la quantité de détergent en conséquence. (Voir page 13).
- Utiliser du détergent frais, qui a été entreposé dans un endroit frais et sec.
- Sélectionner le cycle qui convient pour le degré de saleté.
- Charger la vaisselle de façon à ce que rien ne vienne bloquer les bras gicleurs ni la tourelle centrale. (Voir page 12).
- Charger le panier à couverts en tournant certains manches vers le haut et d'autres vers le bas pour éviter qu'ils ne s'emboîtent les uns dans les autres.
- Ne pas placer les verres sur les tiges de retenue.
- Avant de charger, gratter les aliments brûlés et essuyer la pellicule amidée des ustensiles utilisés par les pâtes, le riz et le gruau. Ces taches sont plus difficiles à laver que les autres saletés.

Le lave-vaisselle laisse des taches ou un voile sur les verres :

- Toujours utiliser un agent de rinçage.
- Vérifier la température de l'eau. L'eau du robinet doit être entre 49° et 60° C (120° et 140° F).
- Confirmer qu'il est possible d'enlever la nébulosité de l'article en le trempant pendant environ 5 minutes dans du vinaigre blanc. Si cela réussit, le problème est causé par une eau dure. Ajuster la quantité de détergent utilisée pour l'adapter à la dureté de l'eau (page 13). S'assurer que le détergent est frais, bien rangé et de haute qualité.
- Si la nébulosité persiste, il s'agit alors de gravure. Une telle érosion d'une surface vitrée peut être causée par une eau trop chaude, par une utilisation d'une trop grande quantité de détergent ou par le pré-lavage (le détergent agit sur la saleté). S'il s'agit de gravure, le verre est endommagé de manière permanente. Pour empêcher la progression de l'érosion, ajuster la quantité de détergent selon la dureté de l'eau, ne plus pré-laver et s'assurer que la température de l'eau chaude n'est pas supérieure à 140 °F (60 °C). Utiliser les options de chauffage de l'eau seulement lorsque la température de l'eau est inférieure à 120 °F (49 °C).

Les articles lavés dans le lave-vaisselle ou la cuve du lave-vaisselle sont tachés/décourés :

- Les plats ou ustensiles en aluminium peuvent laisser des marques lorsqu'ils entrent en contact avec d'autres articles. Laisser un petit espace entre les articles.
- Le fer dans l'eau peut laisser une pellicule jaune, brune ou orange sur la vaisselle ou la cuve du lave-vaisselle. Un filtre peut être nécessaire, vérifier avec une compagnie spécialisée comme RoVer Rust Remover** peut être utilisé pour enlever la rouille. Ne pas utiliser RoVer avec détergent. Remplir les deux compartiments à détergent de RoVer. Faire au lave-vaisselle un cycle «Normal» complet. Faire suivre d'un cycle de lavage plus court.
- Les taches de nourriture à base de tomate peuvent adhérer à la cuve (page 14). S'il apparaît des taches légères, laisser la porte ouverte pour oxyder la tache. Pour enlever des taches rebelles, essayer un nettoyeur de lave-vaisselle à base d'acide citrique, tel que Glisten**. Utiliser un autre détergent pour lave-vaisselle et s'assurer d'en utiliser un qui contient du chlore pour mieux combattre les taches.

La vaisselle ne sèche pas correctement / on peut remarquer d'humidité à l'intérieur du lave-vaisselle après le cycle. :

- Vérifier que l'option «Heated Dry» (séchage à chaud) a été sélectionnée
- Il peut se former des gouttelettes d'eau sur l'intérieur de la porte durant le séchage.
- Toujours utiliser un agent de rinçage, tel que Jet Dry* ou Cascade Rinse Aid*.
- Vérifier la température de l'eau. (Voir page 13).
- Sélectionner le option AccuTemp™ (température précise) ou Temp Boost (certains modèles).
- Augmenter la quantité de détergent utilisée en fonction de la dureté de l'eau. (Voir page 13).
- Charger correctement le lave-vaisselle. (Voir page 12).
- Les articles de plastique et de téflon sont difficiles à sécher parce que leur surface poreuse tend à retenir les gouttelettes d'eau. Au besoin, sécher au moyen d'un linge.
- Les verres et les tasses à fond concave peuvent retenir l'eau. Il peut être nécessaire de les sécher au moyen d'un linge.

La vaisselle se trouve ébréchée :

- Veiller à ce que la vaisselle soit chargée tel que recommandé, de façon à ce que les articles ne se cognent pas. (Voir page 12).
- Il n'est pas recommandé de laver de la porcelaine ou du cristal ancienne dans le lave-vaisselle.
- Ne pas placer les verres sur les tiges de retenue.
- Ne pas trop charger le lave-vaisselle.

*Les noms de produits sont des marques déposées de leurs fabricants.

**RoVer Rust Remover, numéro de pièce 057961, Glisten, numéro de pièce 18001017
Pour commander, téléphoner au 1-800-688-2002.

Lave-vaisselle Portatif

⚠ AVERTISSEMENT

Instructions de mise à la terre – Cet appareil est doté d'une fiche à 3 broches (pour liaison à la terre), ce qui assure une protection adéquate contre les risques de choc électrique. On doit brancher l'appareil uniquement sur une prise de courant correctement reliée à la terre. **Ne coupez pas** et n'enlevez pas la broche de mise à la terre de cette fiche. Si la fiche n'entre pas dans une prise existante, contactez un électricien qualifié pour faire installer une prise adéquate.

Raccordement D'un Lave-Vaisselle Portatif

1. Ouvrir le robinet d'eau chaude jusqu'à ce que l'eau soit très chaude. Fermer le robinet.
2. Sortir le dispositif de raccordement du logement à l'arrière du lave-vaisselle tel qu'indiqué.
3. Appuyer sur la bague de dégagement et emboîter le dispositif de raccordement sur le robinet.
4. Cesser d'appuyer sur la bague de dégagement et tirer légèrement sur le dispositif de raccordement pour vérifier qu'il est bien enclenché.
5. Ouvrir le robinet d'eau chaude à fond.
6. S'assurer que l'écoulement de l'évier n'est pas bouché de façon à ce que l'évacuation de l'eau puisse se faire correctement.
7. Sortir le cordon d'alimentation de son logement et le brancher sur une prise murale correctement reliée à la terre.
8. Sélectionner le cycle approprié et mettre le lave-vaisselle en marche.

Nettoyage et Entretien

Nettoyer la carrosserie et le dessus en laminé avec un linge doux et un produit nettoyant à vaporiser.

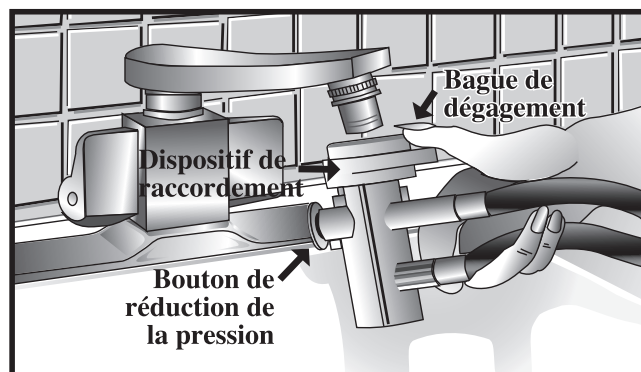
Pour faire briller et protéger le dessus en laminé, utiliser un produit spécial pour les comptoirs tel que Hope's Countertop Polish*.

Appliquer de la cire pour appareils électro-ménagers environ une fois par an.

REMARQUE: Afin d'éviter que le dessus ne se trouve endommagé, ne pas l'utiliser comme surface de coupe ni y placer des plats chauds. Ne pas faire glisser d'articles en céramique ou autres objets abrasifs sur la surface.

Déconnecter le lave-vaisselle

1. Veiller à couper l'alimentation en eau et appuyer sur le bouton de réduction de la pression **AVANT** d'enlever le dispositif de raccordement.
2. Appuyer sur la bague de dégagement et enlever le dispositif de raccordement du robinet.
3. Mettre le dispositif de raccordement et les boyaux dans le logement dans la carrosserie.
4. Débrancher le cordon d'alimentation et le mettre dans le logement dans la carrosserie.



*Les noms de produits sont des marques déposées de leurs fabricants.

Garantie et Service

Garantie

Garantie limitée d'un an - pièces et main-d'œuvre

Durant une période d'un (1) an à compter de la date de l'achat initial, toute pièce qui se révélerait défectueuse dans les conditions normales d'usage ménager sera réparée ou remplacée gratuitement.

Résidents du Canada

Les garanties ci-dessus couvrent un appareil installé au Canada seulement s'il a été agréé par les agences de test habilitées (vérification de la conformité à une norme nationale du Canada), sauf si l'appareil a été introduit au Canada à l'occasion d'un changement de résidence des États-Unis vers le Canada.

Les garanties spécifiques formulées ci-dessus sont les SEULES que le fabricant accorde. Ces garanties vous confèrent des droits juridiques spécifiques et vous pouvez également jouir d'autres droits, variables d'un État à l'autre ou d'une province à l'autre.

LE SEUL ET UNIQUE RECOURS DU CLIENT EN VERTU DE CETTE GARANTIE LIMITÉE EST LA RÉPARATION DU PRODUIT COMME DÉCRITE PRÉCÉDEMMENT. LES GARANTIES IMPLICITES, Y COMPRIS LES GARANTIES DE QUALITÉ MARCHANDE OU D'ADAPTATION À UN USAGE PARTICULIER, SONT LIMITÉES À UN AN OU À LA PÉRIODE LA PLUS COURTE PERMISE PAR LA LOI. MAYTAG CORPORATION NE SERA PAS TENUE RESPONSABLE DES DOMMAGES DIRECTS OU INDIRECTS. CERTAINS ÉTATS ET CERTAINES PROVINCES INTERDISENT L'EXCLUSION ET LA LIMITATION DES DOMMAGES DIRECTS OU INDIRECTS AINSI QUE LES LIMITATIONS SUR LA DURÉE DES GARANTIES IMPLICITES DE QUALITÉ MARCHANDE OU D'ADAPTATION À UN USAGE PARTICULIER. IL EST DONC POSSIBLE QUE CES LIMITATIONS NE S'APPLIQUENT PAS À VOUS. CETTE GARANTIE VOUS CONFÈRE DES DROITS JURIDIQUES SPÉCIFIQUES ET IL SE PEUT QUE VOUS AYIEZ D'AUTRES DROITS, QUI VARIENT D'UN ÉTAT À L'AUTRE OU D'UNE PROVINCE À L'AUTRE.

Ne sont pas couverts par ces garanties

1. Les problèmes et dommages résultant des situations suivantes :
 - a. Mise en service, livraison ou entretien effectués incorrectement.
 - b. Toute réparation, modification, altération et tout réglage non autorisés par le fabricant ou par un prestataire de service après-vente agréé.
 - c. Mauvais emploi, emploi abusif, accidents, usage non raisonnable, ou catastrophe naturelle.
 - d. Courant électrique, tension, alimentation électrique ou en gaz incorrects.
 - e. Réglage incorrect d'une commande.
2. Les garanties ne peuvent être honorées si les numéros de série d'origine ont été enlevés, modifiés ou ne sont pas facilement lisibles.
3. Ampoules, filtres à eau et filtres à air.
4. Les produits achetés à des fins commerciales ou industrielles.
5. Les frais de dépannage ou de visite pour :
 - a. Correction d'erreurs de mise en service. Pour les produits nécessitant une ventilation, un conduit métallique rigide doit être utilisé.
 - b. Initiation de l'utilisateur à l'emploi de l'appareil.
 - c. Transport de l'appareil chez le réparateur et retour de l'appareil chez l'utilisateur.
6. Tout aliment perdu en raison de pannes du réfrigérateur ou du congélateur.
7. Dépenses de déplacement et de transport pour la réparation du produit dans des endroits éloignés.
8. Cette garantie n'est pas valide à l'extérieur des États-Unis et du Canada. Communiquez avec votre détaillant pour savoir si une autre garantie s'applique.
9. Dommages indirects ou accessoires subis par toute personne à la suite d'une quelconque violation des garanties. Certains États ou provinces ne permettent pas l'exclusion ou la limitation de responsabilité en ce qui concerne les dommages directs ou indirects. L'exclusion ci-dessus peut en conséquence ne pas s'appliquer à votre cas.

Si vous avez besoin d'aide

Consultez d'abord la section sur le dépannage dans le manuel d'utilisation et d'entretien, puis appelez le détaillant de qui vous avez acheté votre appareil ou le service à la clientèle de Maytag Services, LLC au 1-800-688-9900 aux États-Unis et au 1-800-688-2002 au Canada pour savoir où trouver un réparateur autorisé.

- Veillez à conserver la facture d'achat pour justifier de la validité de la garantie. Pour d'autres renseignements concernant les responsabilités du propriétaire à l'égard du service sous garantie, voir le texte de la GARANTIE.
- Si le détaillant ou l'agence de service après-vente ne peut résoudre le problème, écrivez à Maytag Services, LLC à l'adresse suivante : CAIR® Center, P.O. Box 2370, Cleveland, TN 37320-2370 États-Unis, ou appelez au **1-800-688-9900 aux États-Unis ou au 1-800-688-2002 au Canada.**
- Les guides d'utilisation, les manuels de service et les renseignements sur les pièces sont disponibles auprès du service à la clientèle de Maytag Services, LLC.

Remarques : Veillez à fournir l'information suivante lorsque vous communiquez avec nous au sujet d'un problème :

- a. Vos nom, adresse et numéro de téléphone;
- b. Numéro de modèle et numéro de série de l'appareil;
- c. Nom et adresse du détaillant avec la date l'appareil acheté;
- d. Description détaillée du problème observé;
- e. Preuve d'achat (facture de vente).

GUÍA DEL USUARIO

Su satisfacción es muy importante para nosotros, por lo tanto lea detenidamente esta guía. En ella encontrará instrucciones sobre el funcionamiento y mantenimiento apropiado de su nuevo electrodoméstico, además de una lista de lo que puede y no puede ser lavado en un lavaplatos automático.

Ahorre tiempo y dinero. Si tiene algún problema, le sugerimos consultar la sección "Antes de Solicitar Servicio". Ha sido diseñada para ayudarle a resolver problemas básicos antes de consultar a un técnico.

Índice

Seguridad	20
Consejos de Cargar	21
Pasos de Operación	22
Un Vistazo a los Controles	23
Cuidado y Limpieza	23
Lo Que Puede y No Puede ser Lavado	24
Antes de Llamar	25-26
Lavaplatos Portátil	27

Instalador: Por favor deje este manual junto con el electrodoméstico.

Consumidor: Por favor lea y conserve este manual para referencia futura. Conserve el recibo de compra y/o el cheque cancelado como comprobante de compra.

Número de Modelo _____

Número de Serie _____

Fecha de Compra _____

Si tiene preguntas, llame al:

1-800-688-9900 EE. UU. y 1-800-688-2002 CANADÁ
(Lunes a Viernes, 8:00 a.m. - 8:00 p.m. Hora del Este)

En nuestro continuo afán de mejorar la calidad de nuestros electrodomésticos, puede que sea necesario modificar el electrodoméstico sin actualizar esta guía.

Seguridad

Lo que Necesita Saber sobre las Instrucciones de Seguridad

Las advertencias e instrucciones importantes sobre seguridad que aparecen en este manual no están destinadas a cubrir todas las posibles circunstancias y situaciones que puedan ocurrir. Se debe ejercer sentido común, precaución y cuidado cuando instale, realice mantenimiento o haga funcionar el lavavajillas.

Siempre póngase en contacto con su fabricante si surgen problemas o situaciones que usted no comprenda.

Reconozca los Símbolos, Advertencias y Etiquetas de Seguridad

⚠ ADVERTENCIA

ADVERTENCIA – Peligros o prácticas no seguras que PODRIAN causar lesión personal grave o mortal.


⚠ PRECAUCIÓN

PRECAUCIÓN – Peligros o prácticas no seguras que PODRIAN causar lesiones personales menores o daños al producto.

Instrucciones Importantes de Seguridad

⚠ ADVERTENCIA

Verifique con el instalador para asegurarse de que el electrodoméstico ha sido puesto a tierra en forma debida a fin de evitar posible choque eléctrico. asegúrese de leer la instrucciones importantes sobre seguridad antes de usar este lavavajillas.

Los productos que tienen la etiqueta  han sido aprobados por Underwriter's Laboratories, Inc. - aquellos que tienen la etiqueta de la CSA han sido aprobador por la Asociación de Normas Canadienses. Sin embargo, al igual que con cualquier otro equipo que usa electricidad y piezas móviles, siempre existe un riesgo potencial.

⚠ ADVERTENCIA

Quando use su lavavajillas, siga las precauciones básicas, incluyendo las siguientes:

1. Lea todas las instrucciones antes de usar el lavavajillas.
2. Use el lavavajillas solamente para la función a que fue destinado.
3. Desenchufe el lavavajillas antes de efectuar cualquier reparación.
4. Para evitar el peligro de choque eléctrico, los costados y la parte trasera debe estar encerrada y los paneles delanteros deben estar instalados antes de enchufar el lavavajillas. Consulte las instrucciones de instalación para los procedimientos apropiados de puesta a tierra.
5. A fin de evitar sobrecarga eléctrica, conecte el lavavajillas a un circuito de suministro eléctrico debidamente protegido y de capacidad suficiente.
6. No se debe permitir que los niños hagan funcionar o jueguen en el lavavajillas o alrededor del mismo.
7. A fin de reducir el riesgo de sufrir una lesión cuando se está cargando el lavavajillas, los artículos puntiagudos o afilados deben colocarse con los mangos hacia arriba. Además, coloque los artículos afilados de modo que no vayan a dañar la junta de la puerta.
8. No toque el elemento calefactor que se encuentra en el fondo de la tina durante o al término de un ciclo, pues estará caliente.
9. Use solamente detergentes y aditivos de enjuague diseñados exclusivamente para uso en lavavajillas domésticos automáticos. Nunca use en el lavavajillas jabón, detergente para lavar ropa ni detergente de lavar a mano. Mantenga estos productos fuera del alcance de los niños.
10. No se siente, ni se pare o haga uso abusivo de la puerta o de los soportes de los platos del lavavajillas.
11. Bajo ciertas condiciones, se puede producir gas hidrógeno en un sistema de agua caliente que no ha sido usado durante dos semanas o más. *El hidrógeno es un gas explosivo.* Si el sistema del agua caliente no ha sido usado durante tal período, abra todas las llaves del agua caliente y deje que el agua escurra durante varios minutos para hacer salir el gas hidrógeno acumulado. Debido a que el gas es inflamable, no fume ni use una llama abierta durante este proceso.
12. No lave artículos de plástico a menos que estén marcados "resistentes al lavavajillas" o algo similar. Para los artículos de plásticos que no estén marcados, verifique las recomendaciones del fabricante.
13. No altere los controles.
14. A fin de evitar los riesgos de que los niños queden atrapados o se afixien dentro del lavavajillas, siempre retire la puerta del compartimiento del lavado cuando descarte o ponga fuera de servicio un lavavajillas antiguo.
15. Tenga cuidado cuando esté sacando la vajilla limpia del lavavajillas. Los platos pueden estar calientes si lo hace inmediatamente después de haberse completado el ciclo.
16. Los lavavajillas de uso doméstico no han sido diseñados para uso en restaurantes.
17. Para evitar daños causados por agua o moho, verifique las conexiones de las mangueras de admisión y drenaje con frecuencia para asegurarse de que no haya escapes.

Conserve estas Instrucciones para Referencia Futura

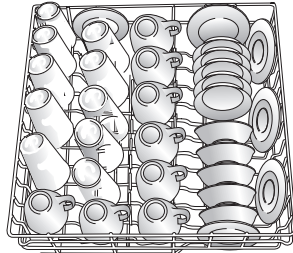
Consejos de Cargar

- Retire los huesos o partículas grandes de alimentos. Quite las cantidades excesivas de grasa/sustancias aceitosas.
- Raspe o deje en remojo la vajilla que tenga quemaduras de alimentos pues necesita más energía para limpiarla que el resto de los artículos.
- Limpie los residuos de alimentos con base de tomate.
- Si el lavavajillas está conectado a un triturador de desechos, asegúrese de que el triturador esté vacío antes de poner en funcionamiento el lavavajillas. Esto ayuda a facilitar el desagüe.
- La mostaza, mayonesa, vinagre, limón y otros alimentos ácidos pueden causar oxidación o decoloración del acero inoxidable. Enjuague estas piezas tan pronto como sea posible.

- El almidón de tales alimentos como las papas, fideos, arroz y harina de avena requieren más energía para ser limpiados que el resto de la vajilla.
- Al colocar los artículos en las canastillas asegúrese de que queden separados y dirigidos hacia el centro de las canastillas.
- Coloque los artículos livianos y planos junto a la canasta de los cubiertos o en los lados y en la parte trasera de las canastillas.
- Coloque los artículos de modo que ellos no obstruyan la torre de lavado situada en el centro de la canastilla inferior.
- Evite bloquear los brazos rociadores superior e inferior no dejando que los artículos sobresalgan de las canastillas.
- Coloque los vasos en cualquier fila de la canastilla superior para su limpieza y enjuague apropiado. No coloque los vasos sobre las púas.

Canastilla Superior (Las características pueden variar ligeramente dependiendo del modelo.)

En esta canastilla se colocan los vasos, tazas, platos pequeños, tazones, utensilios de cocina, etc. Los tazones se acomodan firmemente en la mitad derecha trasera de la canastilla superior. Los platillos o tazones deben colocarse con las superficies sucias dirigidas hacia el centro de la canastilla. **No cargue vasos sobre los dientes.**



Cubiertos para 10 Personas

La tabla doble (Twin Shelf) (modelos selectos) que se encuentra en el lado derecho de la parrilla superior se dobla hacia arriba o hacia abajo. Dóblela hacia abajo para colocar cuchillos con mango largo, espátulas y cucharas o artículos cortos como tazas o vasos de jugo. Dóblela hacia arriba para artículos altos como tazones, platos, etc.

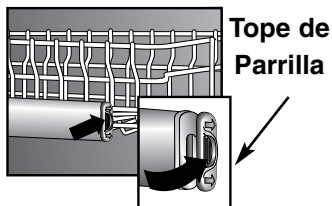
Remoción de la Parrilla Superior

La parrilla superior puede quitarse cuando se necesite cargar artículos altos o demasiado grandes en la parrilla inferior.

Nota: Evite colocar artículos que descansen sobre el centro de la torre de lavado.

Para Quitarla:

- Saque la tercera parte o la mitad de la parrilla superior.
- Quite el tope de plástico de la parrilla en cada extremo del carril. Para quitar cada uno de los toques de plástico, empuje hacia adentro (en dirección de la parrilla) en el área acanalada del tope de la parrilla. El tope de la parrilla se abrirá y podrá sacarlo fácilmente jalándolo hacia afuera en forma recta. Tenga cuidado de sostener el carril mientras saca los toques de la parrilla.
- Saque completamente la parrilla del carril y retírela de la lavaplatos.
- Realice el procedimiento anterior en orden inverso para volver a colocar la parrilla superior en la lavaplatos.



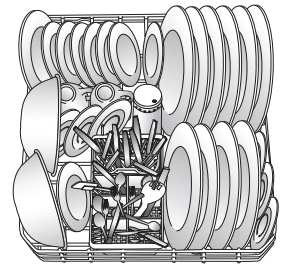
Tope de Parrilla

Canastilla Inferior

(Las características pueden variar ligeramente dependiendo del modelo.)

Los artículos grandes pueden ser colocados en cualquier ubicación conveniente en esta canastilla. Mantenga las superficies sucias dirigidas hacia el centro de la canastilla.

En la parte trasera de esta canastilla se puede colocar una fila de platos de comer o dos filas de platos más pequeños. Los tazones de servir y sartenes también pueden colocarse en la parte delantera de la canastilla o en la parte izquierda.



Cubiertos para 10 Personas

Las púas plegables (modelos selectos) ubicadas en el lado derecho, facilitan la ubicación de los artículos grandes.

Canasta de Utensilio Removible

(Las características pueden variar ligeramente dependiendo del modelo.)

Para obtener los mejores resultados de limpieza, evite que los artículos queden empalmados colocando algunos artículos en la canasta con los mangos hacia arriba y otros con los mangos hacia abajo. Cargue los cuchillos con los mangos hacia arriba a través de los orificios de la sección cubierta (cuando esté cerrada). Siempre coloque los artículos afilados o puntiagudos con los mangos hacia arriba (modelos selectos).

Asegúrese de que los artículos delgados puntiagudos no se extiendan a través de la canasta. Esto podría bloquear el brazo inferior de lavado.

Los artículos pequeños y ligeros tales como cucharas de bebé y tazas de medir de plástico deben colocarse en la sección cubierta de la canasta (modelos selectos).

Pasos de Operación

Paso 1 Agua Caliente

Para obtener mejores resultados, la temperatura del agua de entrada debe ser 49°- 60° C (120° - 140° F). Verifique la temperatura del agua abriendo la llave de agua caliente más cercana al lavavajillas y llene un vaso con el agua en el fregadero. Coloque un termómetro en el vaso y verifique la temperatura cuando ésta se estabilice. Si es inferior a 49° C (120° F) pida a una persona calificada que eleve el ajuste del calentador del agua.

Si la temperatura exterior es demasiado baja o si el recorrido del agua desde el calentador del agua hacia el lavavajillas es largo, puede que sea necesario abrir la llave del agua caliente en el fregadero y dejarla correr hasta que salga agua caliente. Esto asegura que el terraplén inicial del agua es caliente.

Paso 2 Detergente

Use un detergente diseñado específicamente para uso en lavavajillas automáticos. Otros tipos (detergentes para lavar ropa, jabón de manos, etc.) producirán demasiada espuma. Asegúrese de usar detergente fresco y consérvelo en un lugar fresco y seco (no debajo del fregadero).

La cantidad de detergente que use depende de la dureza del agua medida en granos por galones* (gpg) y la cantidad de suciedad de la vajilla. Generalmente las cantidades de detergente deben ser aumentadas para el agua más pesada y para vajillas más sucias. Refiera a la carta siguiente para las recomendaciones detergentes del uso.

No use detergente con **Rinse Only (solamente enjuague)**. Deje la tapa de la taza de detergente abierta cuando use **Rinse Only (solamente enjuague)**.

Si la dureza del agua es 13 gpg o más dura, es difícil lograr buenos resultados con cualquier lavavajillas. La solución es un suavizador de agua mecánico para mejorar la calidad del agua, la eficacia del detergente y para proteger las piezas del lavavajillas contra el daño que puedan producir los depósitos del agua dura.

Paso 3 Complemento Líquido de Enjuague

El distribuidor de agente de enjuague líquido (modelos selectos) automáticamente distribuye una cantidad medida de agente de enjuague en la última parte del enjuague final de cada ciclo.

Para llenar el distribuidor, abra la tapa girándola a la izquierda. Coloque agente de enjuague en el distribuidor. Cierre la tapa y asegúrese de que esté firmemente colocada antes de cerrar la puerta del lavavajillas. **Revise el distribuidor mensualmente y vuelva a llenarlo según sea necesario.**

Para los modelos que no tienen un distribuidor de agente de enjuague líquido se dispone de un agente de enjuague sólido. Cuando use un agente de enjuague sólido, colóquelo en la esquina derecha trasera de la canastilla inferior. Compre agente de enjuague adicional cuando el material se disuelva y el depósito esté vacío.

Paso 4 Arrancar la Lavavajillas

- Después de cargar la lavavajillas y añadirle el detergente, coloque la perilla de control en el ciclo deseado y oprima los opción(es) apropiado(s).
- Oprima la puerta hasta que se enganche. El ciclo comenzará con un drenado antes de llenarse de agua.

Paso 5 Para Añadir un Artículo Olvidado

El artículo olvidado debe añadirse en los inicios del ciclo para que quede mejor lavado.

1. Desenganche la puerta.
2. Espere a que se detenga la circulación de agua.
3. Abra la puerta y añada el artículo.
4. Cierre y enganche la puerta.
5. El ciclo se reanuda automáticamente.

Dureza del Agua*	Nivel de Sucio	Cantidad de Detergente** (por la dosificación de la taza)
Blanda (0-3 gpg)	Ligero Sucio	5 cucharita de té
	Normal Sucio	6 cucharita de té
	Pesada Sucio	8 cucharita de té
Mediana (4-9 gpg)	Ligero Sucio	7 cucharita de té
	Normal Sucio	8 cucharita de té
	Pesada Sucio	10 cucharita de té
Dura (10-12 gpg)	Ligero Sucio	9 cucharita de té
	Normal Sucio	10 cucharita de té
	Pesada Sucio	12 cucharita de té

**El departamento local de servicios públicos de agua o el servicio de extensión de la universidad estatal pueden decirle el grado de dureza de agua en su región.*

***Agregue recomendó la cantidad de detergente a ambos compartimientos para los ciclos de Heavy o Normal de la colada, y solamente al compartimiento principal para el ciclo Light de la colada.*

Un Vistazo de los Controles

Su lavavajillas ofrece varios ciclos y opciones para adaptarse a las condiciones específicas de la vajilla. Por favor consulte la tabla siguiente.

CICLO	SECUENCIA	USO DE AGUA
Heavy Wash (Lavado Pesado) para platos, ollas y sartenes muy sucios	Prelavado (3), Lavado Principal, Purgar, Enjuague	37.9 litros 10 galones
Normal Wash (Lavado Normal) para platos con suciedad normal	Prelavado (2), Lavado Principal, Purgar, Enjuague	30.3 litros 8 galones
Light Wash (Lavado Liviano) para platos ligeramente sucios	Prelavado, Lavado Principal, Purgar, Enjuague	22.7 litros 6 galones
Rinse Only (Enjuague Solamente) para enjuagar los platos mientras espera tener una carga completa	Enjuague, Apagado	7.6 litros 2 galones

Opciones y Luces Indicadoras:

Temp Boost (Aumento de Temperatura) (modelos selectos) verifica la temperatura del agua del lavado principal y del agua del enjuague final y prolongará la calefacción y la circulación del agua hasta que se logre la temperatura de agua deseada. Seleccione **Temp Boost** para asegurar la temperatura apropiada del agua que active el detergente y disuelva la suciedad de alimentos grasos.

Cuidado y Limpieza

Interior

El interior de la lavaplatos es normalmente auto limpiable. Usted debería revisar periódicamente el fondo de la tina de la lavaplatos para ver si las partículas grandes se atoraron en la porción del colador del módulo.

Usted debería limpiar el borde del recubrimiento interior de la puerta para quitar cualquier salpicadura que haya ocurrido durante el cargado.

Se sabe que el color de las suciedades de algunos alimentos con tomate algunas veces se adhiere en las tinas de las lavaplatos modernas y causa decoloración. Para ayudar a evitar que esto suceda, cuando lave una carga con vasijas sucias con salsa de tomate:

- Retire el exceso de los restos de alimentos con tomate de las vasijas, antes de cargarlas. Pero no preenjuague las vasijas.
- Arranque el ciclo **Heavy Wash (Carga Pesada)**.

Exterior

El frente de la lavaplatos puede limpiarse con un paño húmedo suave y limpiador líquido de rocío. No use polvos abrasivos o almohadillas limpiadoras.

Almacenaje/Mudanza

Llene las dos tazas de detergente con un detergente de lavaplatos con olor a fresco o con bicarbonato de sodio y seleccione el ciclo **Normal Wash (Carga Normal)**. Permita que la lavaplatos termine el ciclo. A continuación, cierre el suministro de agua y drene la lavaplatos. Para drenarla,

Extended Wash (Lavado Prolongado) (modelos selectos) proporciona una revisión de la temperatura del agua al principio del lavado principal y también en el enjuague final del ciclo. Si es necesario, el elemento calentador se enciende y el ciclo se prolonga hasta que el agua se caliente a la temperatura adecuada. Seleccione la opción **Extended Wash** para obtener los mejores resultados cuando lave cargas con residuos de alimentos difíciles de quitar.

Heated Dry (secado caliente) pone en marcha el elemento calefactor para mejorar los resultados del secado. Al seleccionar **Heated Dry Off (modelos selectos)** o **Energy Saver (modelos selectos)** el elemento calefactor se apaga para ahorrar energía. Si se usan estas opciones es necesario secar la vajilla con una toalla. En los modelos con interiores de plástico, es normal observar que escapa vapor a través del respiradero de la puerta a medida que el calor seca los platos. Saldrá vapor aunque **no** se seleccione 'Heated Dry'.

⚠ PRECAUCIÓN: En los modelos con interiores de plástico, es normal observar que escapa vapor a través del respiradero de la puerta situado en la esquina superior izquierda de la puerta a medida que el calor seca los platos. El vapor está caliente y puede causar quemaduras leves.

Delay Hours (Horas Diferir) (modelos selectos) puede ser usado para retrasar el comienzo del ciclo hasta 6 horas. La luz indicadora de **Delay Start** se ilumina cuando el lavavajillas ha sido programado para **Delay Start**.

La luz **Water Heating (Calentamiento de Agua)** (modelos selectos) se ilumina cuando se prolonga el ciclo para calentar el agua a la temperatura adecuada.

arranque cualquier ciclo ya que todos los ciclos comienzan con un drenado. Escuche para verificar que se ha terminado el ciclo de drenado y, a continuación, abra la puerta para interrumpir el ciclo antes del llenado. Haga que funcione el ciclo de drenado dos veces para asegurarse que la mayor parte del agua haya sido eliminada. Finalmente, desconecte el suministro eléctrico y abra la puerta. (Vea Instrucciones Importantes de Seguridad, No.14, página 20).

Para Cambiar el Inserto del Panel de la Puerta (modelos selectos)

Advertencia: Desconecte el suministro eléctrico a la lavaplatos antes de cambiar el inserto del panel de la puerta.

1. Con un desarmador Phillips, retire las tiras del adorno del lado derecho o izquierdo de la puerta sacando los tres tornillos.
2. Sujete el inserto del panel y suavemente sáquelo un poco. Deslice el panel hacia afuera aproximadamente 2 pulgadas (5.08 cm.). Continúe sacando el inserto del panel lo suficiente para sacarlos. Tenga cuidado, los bordes pueden estar filosos.
3. Seleccione el color y vuelva a instalar el panel. Coloque el panel del inserto (con las esquinas melladas en la parte superior) en la parte interior del adorno del panel de la puerta inferior. Cerciórese de que las esquinas melladas superiores del inserto se encuentren debajo del panel de control.
4. Vuelva a instalar el adorno lateral.

Artículos que Requieren un Cuidado Especial

La mayoría de las vajillas, las baterías de cocina y de los cubiertos pueden lavarse de manera segura en su lavaplatos. Si tiene dudas respecto a algún artículo, consulte al fabricante de dicho artículo.

Material	Seguridad en Lavaplatos	Información Especial
Aluminio	Sí, excepto el aluminio anodizado.	La alta temperatura y los detergentes pueden afectar el acabado.
Hierro Forjado	No	Se le caerá el curado y se oxidará.
Porcelana y Barro	No, si la porcelana es antigua o pintada a mano.	Siempre revise las recomendaciones del fabricante antes de lavar. Los patrones antiguos, pintados a mano o por encima del barniz pueden despintarse. La hoja de oro puede descolorarse.
Crystal	No, si es cristal antiguo o delicado y ligero.	Siempre revise las recomendaciones del fabricante antes de lavar. Algunos tipos de cristal de plomo pueden grabarse después de lavadas repetidas.
Filtros para Calentadora	No se recomienda usar filtros para calentador.	Pueden dejar depósitos de color oscuro o manchas en el interior de la lavaplatos.
Vidrio	Sí	El vidrio de criolita se volverá amarillo con repetidas lavadas en lavaplatos.
Vajillas Enchapadas en oro	No	Se descolorará.
Peltre, Estaño	No	
Plásticos	Sí, en la parrilla superior.	Siempre consulte las recomendaciones del fabricante antes de lavar. Los plásticos varían en la capacidad de resistencia a temperaturas altas de agua y a los detergentes. Los artículos de plástico desechables no son seguros para lavarse en la lavaplatos por esta razón.
Acero Inoxidable	Sí	Use un ciclo de Rinse Only (Sólo Enjuague) si no va a lavarse inmediatamente. El contacto prolongado con alimentos que contienen sal, vinagre, productos lácteos o jugos de frutas pueden dañar el acabado.
Plata de Ley y Acero Plateado	No, si tiene "manchador" comercial.	Siempre revise las recomendaciones del fabricante antes de lavar. Use el ciclo Rinse Only (Sólo Enjuague) si no se lavará inmediatamente. El contacto prolongado con alimentos que contienen sal, ácidos o sulfuro (huevos, mayonesa y mariscos) puede dañar el acabado. El manchador comercial puede disolverse con el detergente.
Artículos de Madera	No	La madera se puede deformar, quebrar o descolorar.

Antes de Llamar

Revise estos puntos para ayudar a ahorrar tiempo y dinero:

¿La lavaplatos no se llena?

- Verifique que la puerta esté firmemente enganchada.
- Verifique que el agua esté abierta.
- Revise que la perilla o el botón estén seleccionados apropiadamente para un ciclo.
- De tiempo a los modelos de selección para que drenen y hagan una pausa antes de llenarse.
- Revise el interruptor automático o la caja de fusibles de su casa.
- Revise que la manguera de entrada no esté torcida.
- Revise la entrada de la válvula de agua por posibles sedimentos y límpiela si es necesario.

¿La lavadora no drena/Agua en el fondo de la pila?

- Si está conectada a un triturador de desechos, verifique que el expulsor se haya quitado de la entrada del triturador.
- Verifique que la manguera de drenaje esté elevada cuando menos 32" (81 cm) de modo que el agua no se pueda devolver a la tina.
- Revise posibles obstrucciones de alimentos en la alcantarilla o en el triturador.
- Revise que la manguera de drenaje no esté torcida.
- Revise el interruptor automático o la caja de fusibles de su casa.
- Revise que el ciclo haya terminado.

¿La taza de detergente no está vacía?

- Verifique que el ciclo terminó.
- Asegúrese de que el surtidor no esté bloqueado por un plato o un utensilio.
- Use detergente nuevo almacenado en un lugar seco y fresco.

¿La lavaplatos parece ruidosa?

- Un silbido de la válvula de agua durante el llenado es normal.
- Los ruidos de circulación de agua son normales.
- Un ruido de tictac es un sonido normal del cronómetro.
- Un ruido de trueno puede ser un brazo de lavado golpeando un artículo que se extiende fuera de las parrillas.
- Es posible que escuche ruidos de picado o rayado mientras la hoja interna de la picadora corta elementos duros como las semillas de las frutas, nueces, etc.
- Un murmullo durante el drenado es normal.
- Un ruido de encajado a presión es la tapa de la taza de detergente pegándose al recubrimiento de la puerta cuando se abre la puerta de la lavaplatos al final del ciclo. Esto es normal.
- La instalación apropiada tiene que ver con el nivel de ruido.

¿El ciclo se tarda mucho? (La luz de Heating Delay permanece encendida, modelos selectos)

- La opción AccuTemp™ (Temperatura Exacta) o Temp Boost (Aumento de Temperatura) (modelos selectos) ha sido seleccionada y el ciclo se prolonga si la temperatura del agua está baja.
- Revise para ver si la temperatura del agua de entrada está entre 120-140° F (49-60° C).

¿La lavaplatos tiene mal olor?

- Arranque el ciclo Rinse Only (Sólo Enjuague) para las vasijas que están adentro de la lavaplatos.
- Muchas lavaplatos tienen un olor a "nuevo" al principio. Este olor se disipará con el uso.
- Es posible que la lavaplatos no se esté drenando correctamente (vea la sección "No se drena").
- Para eliminar los olores fuertes, utilice bicarbonato de sodio en ambos lados de la taza de detergente. Seleccione el ciclo Light Wash (Carga Ligera) y deje que el agua circule durante más o menos 10 minutos. Interrumpa el ciclo destrabando la puerta y deje que el bicarbonato de sodio permanezca toda la noche. Vuelva a arrancar la lavaplatos trabando la puerta y permitiendo que concluya el ciclo. Otra posible solución es utilizar un producto limpiador de lavaplatos comercial tal como Jet-Dry Dishwasher Cleaner*.

¿La lavaplatos gotea?

- Compruebe que la lavaplatos esté nivelada (consulte las instrucciones de instalación).
- La espuma puede causar que la lavaplatos se desborde. Mida cuidadosamente la cantidad de detergente y utilice solamente detergentes diseñados específicamente para usarse en lavaplatos. Se necesita menos detergente con el agua blanda. Utilice otra marca si se sigue formando mucha espuma.
- Siga al pie de la letra las instrucciones sobre cómo añadir un artículo olvidado (página 22).
- Cerciórese de que la tapa del aditivo de enjuague (modelos selectos) esté unida firmemente y que no esté goteando.

*Los nombres de marcas son marcas registradas del fabricante respectivo.

Continúa en la página siguiente.

Antes de Llamar

¿En las vasijas quedan restos de suciedad de alimentos?

- Verifique la temperatura del agua (Vea la página 22).
- Deje correr el agua caliente en el fregadero antes de encender la lavaplatos.
- Seleccione AccuTemp™ (Temperatura Exacta) o Temp Boost (Aumento de Temperatura) (modelos selectos).
- Revise la dureza del agua y ajuste la cantidad de detergente según sea necesario. (Vea la página 22).
- Use detergente nuevo almacenado en un lugar seco y fresco.
- Seleccione el ciclo apropiado para el nivel de suciedad.
- Cargue los artículos de modo que no bloqueen los brazos de lavado o la torre del centro. (Vea la página 21).
- Cargue la canasta de utensilios con algunos mangos hacia arriba y otros hacia abajo para evitar que se atoren.
- No coloque los vasos sobre las púas.
- Antes de cargar la lavaplatos, elimine los alimentos quemados y los residuos de almidón de los utensilios que se utilizaron con pastas, arroz y avena. Estos residuos requieren más energía que el resto de la carga para limpiarse.

¿Están los vasos nublados o manchados?

- Siempre utilice un aditivo de enjuague.
- Revise la temperatura del agua, el agua de entrada debe estar a una temperatura de 120-140° F (49-60° C).
- Verifique que el empañamiento pueda eliminarse remojando el artículo en vinagre blanco durante aproximadamente 5 minutos. Si se elimina, el problema se debe a la dureza del agua. Ajuste la cantidad de detergente que se está utilizando para igualar la dureza del agua (página 22). Asegúrese de que el detergente sea nuevo, haya estado almacenado correctamente y que sea de buena calidad.
- Si el empañamiento no puede eliminarse es debido a que hay corrosión de la superficie. Esto significa que hay una erosión de la superficie de la cristalería lo que puede resultar del uso de agua demasiado caliente, demasiado detergente o por lavar previamente los artículos (el detergente necesita residuos de alimentos para poder activarse). Si ya hay corrosión de la superficie, significa que la cristalería ya está dañada permanentemente. Para prevenir que haya más corrosión de la superficie, ajuste la cantidad de detergente para igualar la dureza del agua, no lave los artículos previamente y cerciórese de que la temperatura del agua de entrada no sea superior a 120-140° F (49-60° C). Use las opciones de calentamiento del agua sólo cuando la temperatura del agua sea inferior a 120-140° F (49-60° C).

¿Están los artículos lavados en la lavaplatos o la tina misma manchados o descolorados?

- Los utensilios o cacerolas de aluminio pueden dejar marcas cuando se talla contra otros artículos, deje un pequeño espacio entre los artículos.
- El hierro en el agua puede dejar una película amarilla, café o anaranjada en las vasijas o en la tina de la lavaplatos. Puede necesitarse un filtro, revise con una compañía de tratamiento de agua. El Ro Ver Rust Remover (numero de parte 057961)** puede usarse para quitar óxido. No use RoVer con detergente de lavaplatos. Llene ambas tazas de detergente con RoVer. Disponga un ciclo de lavado Normal completo. Continúe con un ciclo más corto usando detergente de lavaplatos.
- Es posible que el color proveniente de los productos con base de tomate se adhiera a la tina (página 23). Si se mancha levemente, deje abierta la puerta para que se oxide y pueda eliminarse la mancha. Para eliminar manchas más difíciles, utilice un ácido cítrico que contenga un producto de limpieza de lavaplatos tal como Glisten (numero de parte 18001017)**. Cambie el detergente de la lavaplatos y asegúrese de utilizar un detergente de lavaplatos que contenga cloro para eliminar mejor las manchas.

¿Los artículos no están completamente secos? ¿Hay humedad en el interior de la lavaplatos después del ciclo de secado?

- Asegúrese que seleccionó Heated Dry.
- Se pueden formar gotas de agua en la parte interior de la puerta como parte del proceso de secado.
- Siempre utilice un aditivo de enjuague tal como Jet Dry* o Cascade Rinse Aid*.
- Revise la temperatura del agua. (Vea la página 22).
- Seleccione AccuTemp™ (Temperatura Exacta) Temp Boost (Aumento de Temperatura) (modelos selectos).
- Aumente la cantidad de detergente para ajustar la dureza del agua. (Vea la página 22).
- Carguela apropiadamente. (Vea la página 21).
- Los artículos de plástico y de teflón son difíciles de secar debido a que la superficie porosa tiende a acumular gotas de agua. Puede ser necesario secar estos artículos con una toalla.
- Los vasos de vidrio y las tazas que tienen el fondo cóncavo pueden acumular agua ahí y tal vez sea necesario secarlos con una toalla.

¿Se desportillaron las vasijas?

- Cargue las vasijas de acuerdo a las instrucciones de modo que no se golpeen entre sí. (Vea la página 21).
- No se recomienda lavar en la lavaplatos vajillas antiguas de cristal ni de porcelana.
- No cargue los vasos sobre las agujas.
- No la cargue de más.

* Los nombres de las marcas son las marcas registradas de los fabricantes respectivos.

**Llame al 1-800-688-8408 para hacer el pedido.

Lavavajillas de Modelo Portàtil

⚠ ADVERTENCIA

Instrucciones sobre la Puesta a Tierra - Este electrodoméstico está equipado con un enchufe de tres clavijas con puesta a tierra para su protección contra el posible peligro de choques eléctricos. Se debe enchufar directamente en un tomacorriente debidamente puesto a tierra. **No** corte ni retire la clavija de puesta a tierra de este enchufe. Si el enchufe no calza en un tomacorriente existente, póngase en contacto con un electricista calificado para que cambie el tomacorriente.

Para Conectar un Modelo Portàtil

1. Abra la llave del agua del fregadero hasta que salga agua caliente. Cierre la llave del agua.
2. Jale el conector del hueco que se encuentra en la parte posterior de la lavaplatos.
3. Oprima hacia abajo el liberador manual y levante el conector a la llave del agua.
4. Elimine la presión del liberador manual y tire ligeramente del conector para asegurarse de que esté bien puesto en su lugar.
5. Abra completamente la llave del agua caliente.
6. Revise que el drenaje del fregadero esté abierto para que el agua de la lavaplatos pueda drenarse correctamente.
7. Jale el cordón eléctrico del hueco. Enchufe el cordón eléctrico en un tomacorriente correctamente conectado a tierra.
8. Seleccione el ciclo y las opciones correctas de las cargas y arranque la lavaplatos.

Cuidado y Limpieza

Limpie el gabinete y la parte superior laminada con un paño suave y húmedo, y con un limpiador en atomizador líquido.

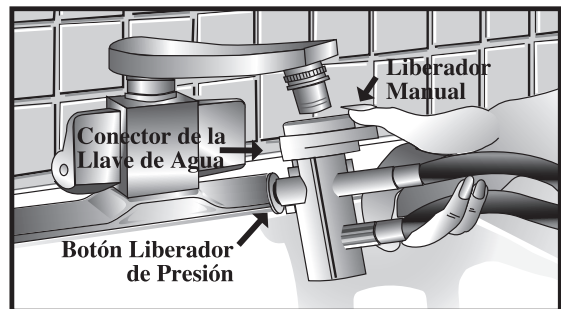
Para pulir y proteger la parte superior laminada, utilice un producto diseñado específicamente para mostradores tal como Hope's Countertop Polish*.

Aplique una cera para electrodomésticos al gabinete una vez al año.

Nota: Para proteger contra daños la parte superior laminada, no la use como superficie para cortar ni para colocar utensilios de cocina tibios o calientes. No deslice por la superficie objetos de cerámica ni otros objetos abrasivos o duros.

Para Desconectar un Modelo Portàtil

1. Cerciórese de cerrar el suministro de agua y de oprimir el botón liberador de presión antes de quitar el conector.
2. Oprima hacia abajo el liberador manual y quite el conector de la llave del agua.
3. Empuje el conector y las mangueras hacia atrás hasta que queden adentro del hueco del gabinete.
4. Desconecte el cordón eléctrico y empújelo hasta que quede adentro del hueco del gabinete.



*Los nombres de las marcas son marcas comerciales de los respectivos fabricantes.

Garantía y Servicio

Garantía

Garantía limitada de un año –

Piezas y mano de obra

Durante **un (1) año** a partir de la fecha original de compra al detal, se reparará o reemplazará gratuitamente cualquier pieza que falle durante el uso normal en el hogar.

Residentes Canadienses

Las garantías anteriores cubren solamente aquellos electrodomésticos instalados en Canadá que han sido certificados o aprobados por las agencias de prueba correspondientes para cumplimiento con la Norma Nacional de Canadá a menos que el electrodoméstico haya sido traído a Canadá desde los EE.UU. debido a un cambio de residencia.

*Las garantías específicas expresadas anteriormente son las **UNICAS** garantías provistas por el fabricante. Estas garantías le otorgan derechos legales específicos y usted puede tener además otros derechos que varían de un estado a otro.*

LA ÚNICA Y EXCLUSIVA SOLUCIÓN PARA EL CLIENTE BAJO ESTA GARANTÍA LIMITADA ES LA REPARACIÓN DEL PRODUCTO SEGÚN SE INDICA AQUÍ. LAS GARANTÍAS IMPLÍCITAS, INCLUYENDO LAS GARANTÍAS DE COMERCIALIZACIÓN O DE APTITUD PARA UN PROPÓSITO EN PARTICULAR ESTÁN LIMITADAS A UN AÑO O AL PERÍODO DE TIEMPO MÍNIMO PERMITIDO POR LA LEY. MAYTAG CORPORATION NO SERÁ RESPONSABLE DE DAÑOS INCIDENTALES O CONSECUENTES. ALGUNOS ESTADOS Y PROVINCIAS NO PERMITEN LA EXCLUSIÓN O LIMITACIÓN DE DAÑOS INCIDENTALES O CONSECUENTES O LA LIMITACIÓN DE LA DURACIÓN DE LAS GARANTÍAS IMPLÍCITAS DE COMERCIALIZACIÓN O APTITUD, POR LO QUE ESTAS EXCLUSIONES O LIMITACIONES PUEDEN NO APLICARSE EN SU CASO. ESTA GARANTÍA LE OTORGA DERECHOS LEGALES ESPECÍFICOS. USTED TAMBIÉN PUEDE TENER OTROS DERECHOS QUE VARIÁN DE UN ESTADO A OTRO O DE UNA PROVINCIA A OTRA.

Lo que no cubren estas garantías

- Situaciones y daños resultantes de cualquiera de las siguientes situaciones:
 - Instalación, entrega o mantenimiento inapropiados.
 - Cualquier reparación, modificación, alteración o ajuste no autorizados por el fabricante o taller de servicio autorizado.
 - Mal uso, abuso, accidentes, uso no razonable o hechos fortuitos.
 - Corriente, voltaje, suministro eléctrico o suministro de gas incorrectos.
 - Ajuste inadecuado de cualquier
- Las garantías quedan nulas si los números de serie originales han sido retirados, alterados o no se pueden determinar fácilmente.
- Bombillas, filtros de agua y filtros de aire.
- Los productos comprados para uso comercial o industrial.
- El costo del servicio o llamada de servicio para:
 - Corregir errores de instalación. Para los productos que requieran ventilación, se deben usar conductos de metal rígido.
 - Instruir al usuario en el uso adecuado del producto.
 - Transporte del electrodoméstico al establecimiento de servicio y de regreso.
- Cualquier pérdida de alimentos debido a fallas del refrigerador o congelador.
- Costos de viaje y transporte de servicio en áreas remotas.
- Esta garantía no se aplica fuera de los Estados Unidos y Canadá. Póngase en contacto con su distribuidor para determinar si se aplica cualquier otra garantía.
- Los daños consecuentes o incidentales sufridos por cualquier persona como resultado del incumplimiento de esta garantía. En algunos estados no se permite la exclusión o limitación de daños consecuentes o incidentales, por lo tanto la limitación o exclusión anterior puede no aplicarse en su caso.

Si necesita servicio

Primero revise la sección de localización y solución de averías en su guía de uso y cuidado o llame al distribuidor donde adquirió el electrodoméstico. También puede llamar a Maytag Services, LLC, Atención al cliente, al 1-800-688-9900 en EE.UU. y al 1-800-688-2002 en Canadá para ubicar a un agente de servicio calificado.

- Asegúrese de conservar el comprobante de compra para verificar el estado de la garantía. Consulte la sección sobre la GARANTÍA para mayor información sobre las responsabilidades del propietario para obtener servicio bajo la garantía.
- Si el distribuidor o la compañía de servicio no pueden resolver el problema, escriba a Maytag Services, LLC, Attn: CAIR® Center, P.O. Box 2370, Cleveland, TN 37320-2370 o llame al **1-800-688-9900 en EE.UU. y al 1-800-688-2002 en Canadá.**
- Las guías del propietario, manuales de servicio e información sobre las piezas pueden solicitarse a Maytag Services, LLC, Atención al cliente.

Notas: Cuando llame o escriba acerca de un problema de servicio, por favor incluya la siguiente información:

- Su nombre, dirección y número de teléfono;
- Número de modelo y número de serie;
- Nombre y dirección de su distribuidor o técnico de servicio;
- Una descripción clara del problema que está experimentando;
- Comprobante de compra (recibo de compra).